

**Miami River Commission**  
**Public Virtual Workshop Minutes**  
**February 7, 2022**

The Miami River Commission (MRC) public virtual workshop (no actions nor votes taken) convened at noon, February 7, 2022.

**Miami River Commission (MRC) Policy Committee Members and/or Designees attending:**

Horacio Stuart Aguirre, MRC Chairman

Patty Harris, designee for Governor

Jim Murley, designee for Miami-Dade County Mayor Cava

Megan Kelly, designee for City of Miami Mayor Francis Suarez

Nancy Jackson, designee for County Commissioner Eileen Higgins

Bruce Brown, Miami River Marine Group

John Michael Cornell, Designee for Luis Garcia

Tom Kimen, Neighborhood Representative appointed by City of Miami

Nilo Cuervo, designee for ST Attorney Katherine Fernandez-Rundle

Sandy O'Neil, designee for Greater Miami Chamber of Commerce

Phil Everingham, designee for Miami Marine Council

**MRC Staff:**

Brett Bibeau, Managing Director

**Others attending interested in the River:**

Sign in sheets available upon request.

**I) Chair's Report**

MRC Chairman Horacio Stuart Aguirre provided the following report:

The Miami River Commission's January public meeting minutes were emailed in advance of today's meeting.

The Miami River Commission has been actively assisting the efforts of the City, County, State, and private sector to clean up the Miami River District. In addition to the maintenance professionals the MRC pays daily to remove litter, invasive plant species, graffiti and provide landscaping and pressure washing services along the Miami River, the MRC thanks the volunteers from Hands on Miami, whom on January 23 picked up garbage along the public Riverwalk in Curtis Park, and on January 30 picked up garbage along the Miami River's shoreline in Sewell Park.

## **II) Discussion of the Railroad along NW North River Drive**

MRC Chairman Aguirre stated the Miami Intermodal Center Capacity Improvement Project (MR-MICCI), featuring the planned replacement of the old Railroad Bridge over the Miami River, was presented to the Miami River Commission on December 2, 2013 and September 8, 2014. I appreciate the representatives from the SFRTA and FDOT whom have joined us today to provide an update re the Railroad Bridge over the Miami River, and their railroad line along upper NW North River Drive.

Representatives from the South Florida Regional Transportation Authority (SFRTA) and the Florida Department of Transportation (FDOT) Districts 6 & 4, presented the attached PowerPoint with the following update regarding the Railroad (RR) track along NW North River Drive, known as the "Downtown Lead".

3 RR crossings improvements were completed, and three more are planned at NW 30 Ave, NW 19 Ave, and NW 10 Ave.

3 dumpsters full of garbage have been picked up and removed from the subject area. The group will work together to address illegal dumping and create a regular maintenance schedule.

They are working on securing the remaining funding needed to replace the subject RR Bridge.

The public virtual workshop adjourned.

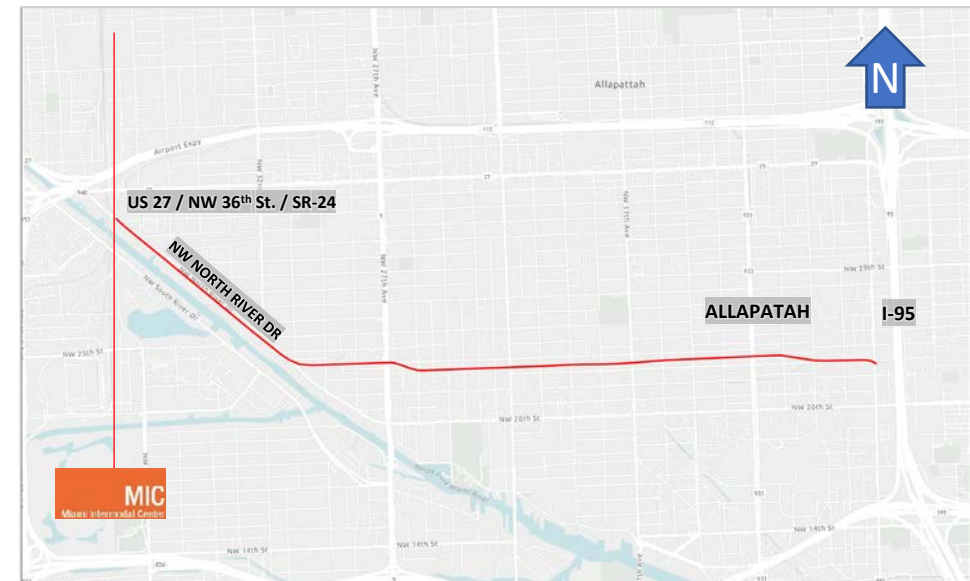
# SOUTH FLORIDA RAIL CORRIDOR

*Signal and Surface Maintenance of Way*

# SFRC Downtown Lead

## Maintenance of Way

- Owned by Florida Department of Transportation (FDOT) as part of the South Florida Rail Corridor (SFRC)
- Begins on NW North River Dr
- Ends on NW 22<sup>nd</sup> St and 8<sup>th</sup> Ave
- Serves only freight trains operated by CSXT Total Number of Grade Crossings
  - Public RR crossings 24
  - Private RR crossings 13
- Total Grade Crossing Funded Projects
  - Completed 08
  - Scheduled 03



# SFRC Downtown Lead

## Maintenance of Way

- Part of the Operating Maintenance Agreement between SFRTA and FDOT
- Clean Up and Trash Removal
  - 2020 Annual visits total 15
  - 2021 Annual visits total 15
  - 2022 SFRTA/Transdev Contracted Dumpsters located along Downtown Lead (NW North River Dr.) for debris removal

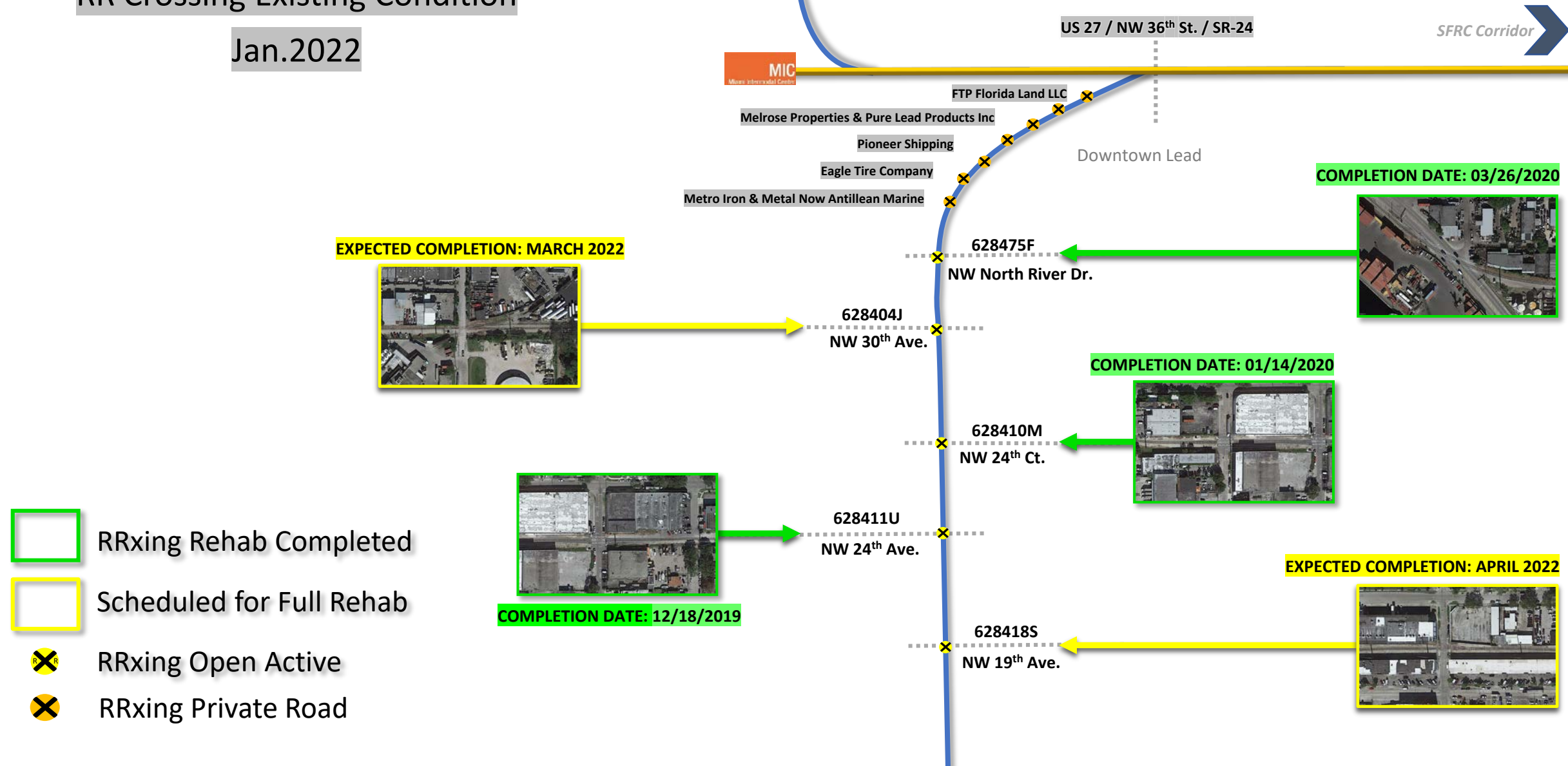
More than **150 cubic yards** of debris were removed in January



# SFRC Downtown Lead

RR Crossing Existing Condition

Jan.2022



- RRxing Rehab Completed
- Scheduled for Full Rehab
- X RRxing Open Active
- X RRxing Private Road

EXPECTED COMPLETION: MARCH 2022



628404J  
NW 30<sup>th</sup> Ave.

COMPLETION DATE: 03/26/2020



628475F  
NW North River Dr.

COMPLETION DATE: 01/14/2020



628410M  
NW 24<sup>th</sup> Ct.



COMPLETION DATE: 12/18/2019

628411U  
NW 24<sup>th</sup> Ave.

EXPECTED COMPLETION: APRIL 2022



628418S  
NW 19<sup>th</sup> Ave.

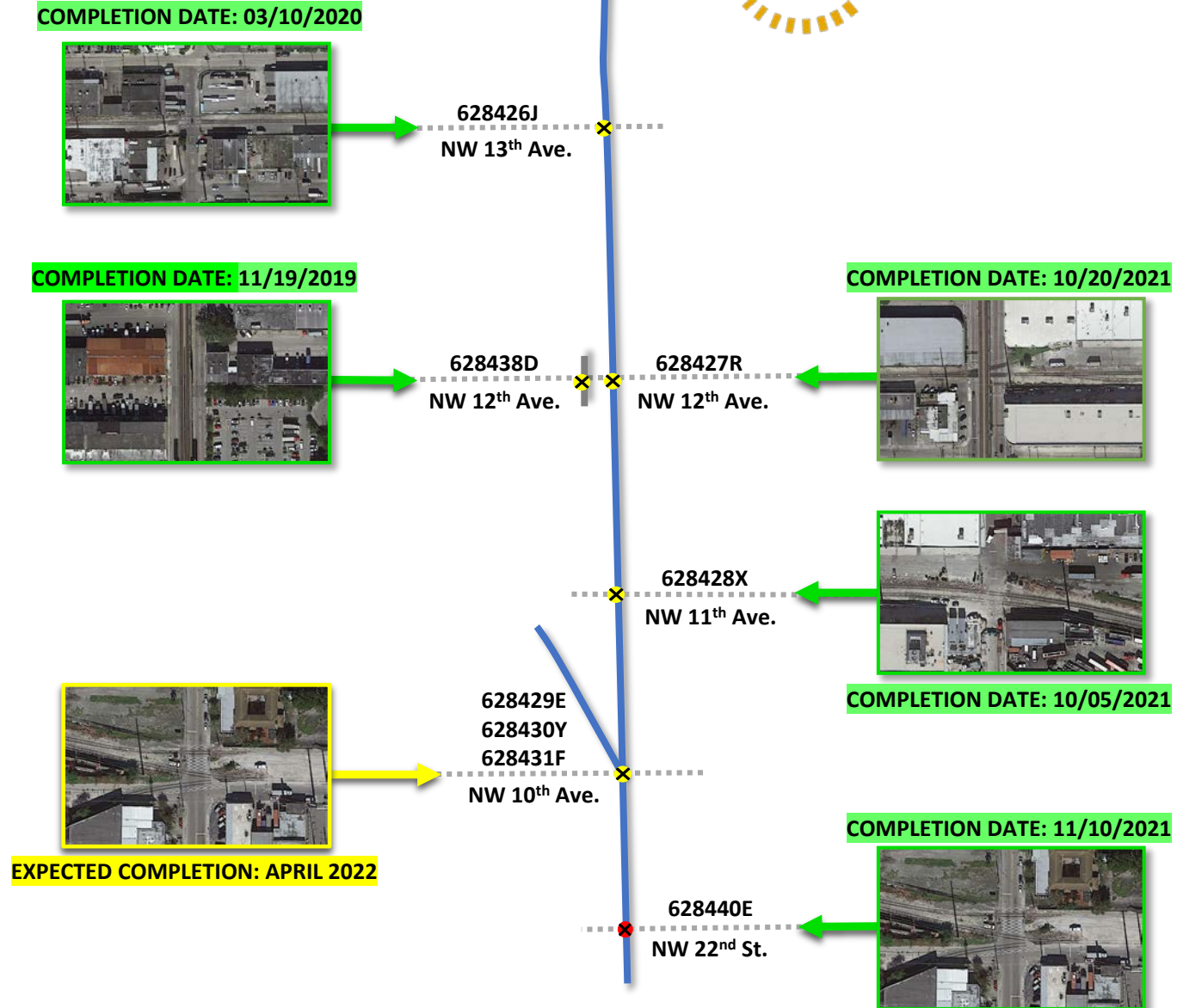
# SFRC Downtown Lead

RR Crossing Existing Condition

Jan.2022



- RRxing Rehab Completed
- Scheduled for Full Rehab
- ✕ RRxing Open Active
- ✕ RRxing Closed - Track Removed



# NW North River Drive

COMPLETION DATE: 03/26/2020





NW 24<sup>th</sup> Ct

COMPLETION DATE: 01/14/2020



NW 24<sup>th</sup> Ave

COMPLETION DATE: 12/18/2019



# NW 13<sup>th</sup> Ave

COMPLETION DATE: 03/10/2020



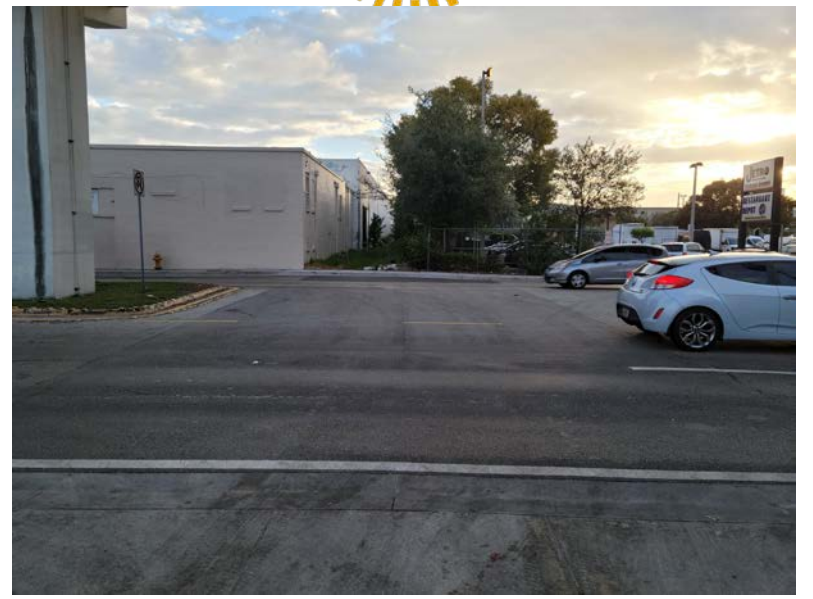
NW 12<sup>th</sup> Ave

COMPLETION DATE: 10/20/2021



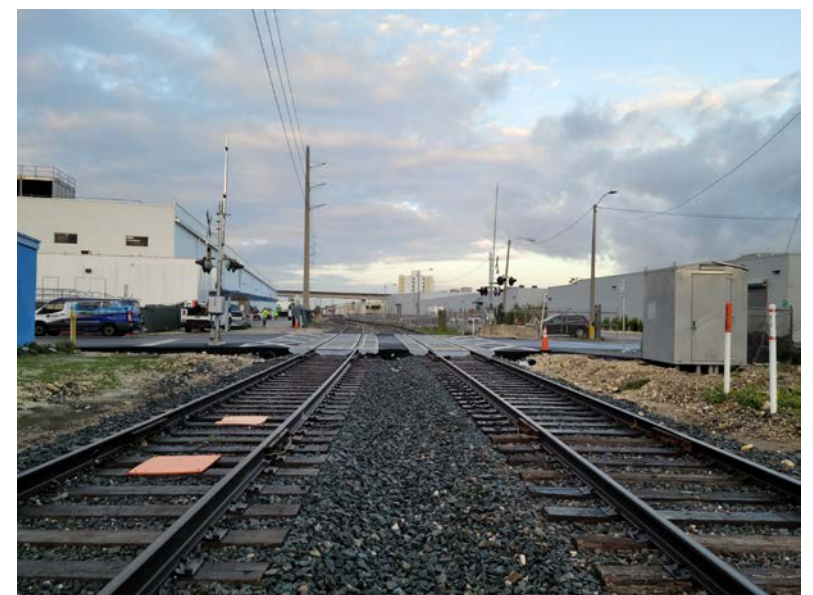
# NW 12<sup>th</sup> Ave (track removal)

COMPLETION DATE: 11/19/2019



NW 11<sup>th</sup> Ave

COMPLETION DATE: 10/05/2021



# NW 22<sup>nd</sup> St (track removal)

COMPLETION DATE: 11/10/2021



# SFRC Downtown Lead

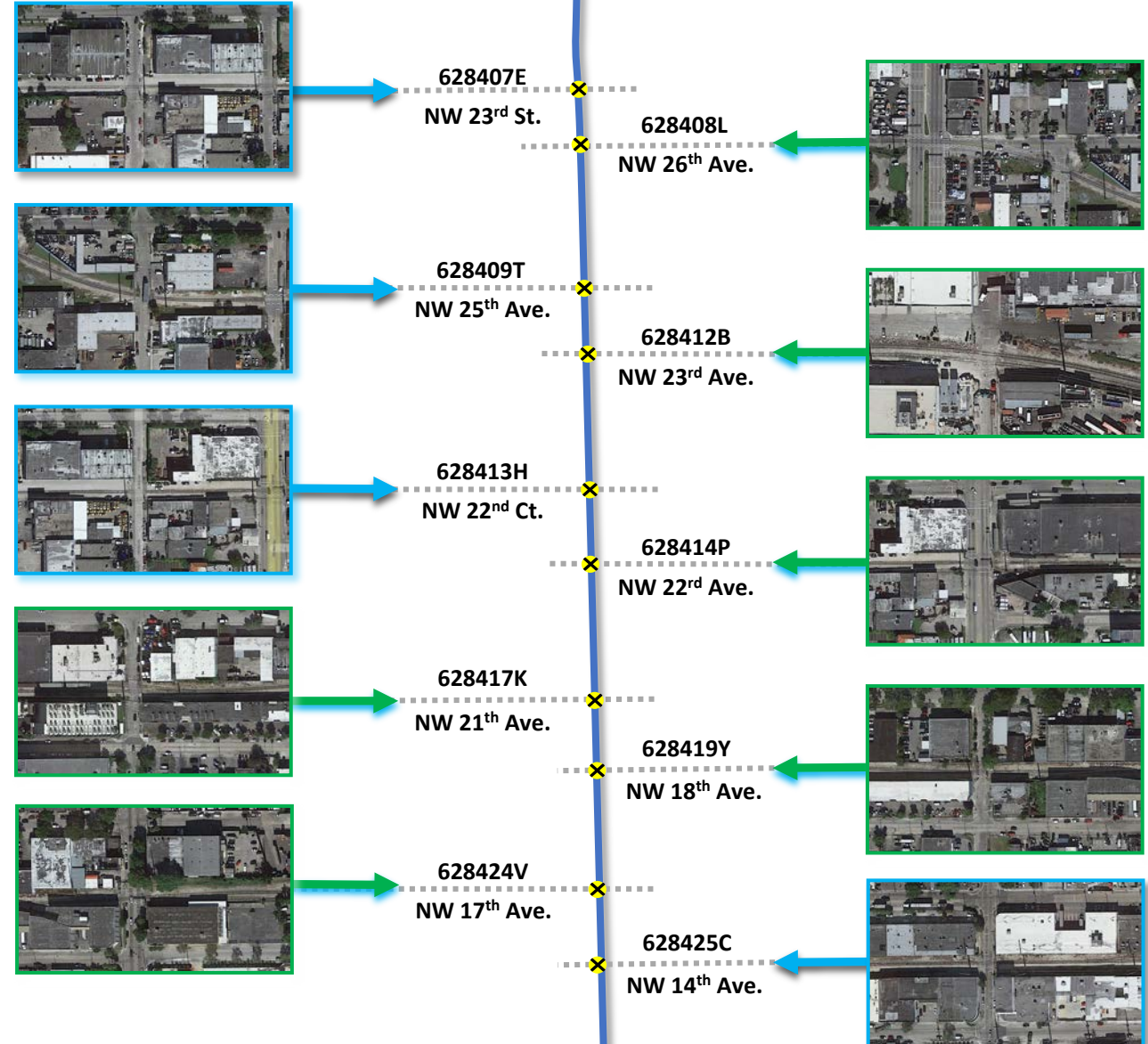
RR Crossing Existing Condition

Jan.2022



Grade Crossing Assessment  
done by FDOT 2019

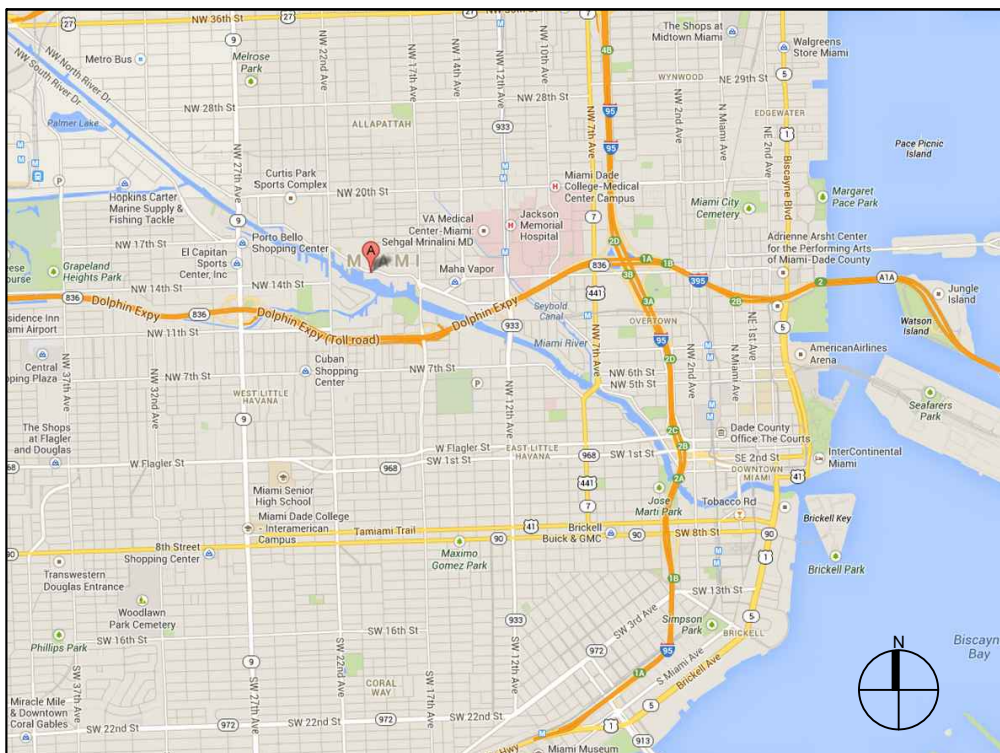
-  Good Condition
-  Fair Condition
-  RRxing Open Active







## LOCATION MAP AND LEGAL DESCRIPTION



**PROJECT SITE LOCATION:**  
1884 NW NORTH RIVER DRIVE  
Miami, FL 33125

**LATITUDE:** 25°46'20.62"N  
**LONGITUDE:** 80°12'2.17"W

**FOLIO No.:** 01-3134-024-1170  
01-3134-024-1180

**PROJECT SITE LEGAL DESCRIPTION:**  
RIVERSEDGE PB 23-78  
LOTS 9 TO 15 INC BLK 8  
LOT SIZE IRREGULAR  
COC 24114-2646 01 2006 1

### GENERAL NOTES:

- ELEVATIONS SHOWN REFER TO THE NATIONAL GEODETIC VERTICAL DATUM (NGVD) OF 1929.
- ALL DIMENSIONS ON PLANS ARE SUBJECT TO VERIFICATION IN THE FIELD.
- IT IS THE INTENT OF THESE PLANS TO BE IN ACCORDANCE WITH APPLICABLE CODES AND AUTHORITIES HAVING JURISDICTION. ANY DISCREPANCIES BETWEEN THESE PLANS AND APPLICABLE CODES SHALL BE IMMEDIATELY BROUGHT TO THE ATTENTION OF ENGINEER BEFORE PROCEEDING WITH WORK. CONTRACTOR AND ALL SUBCONTRACTORS ARE RESPONSIBLE FOR ALL LINES, ELEVATIONS, AND MEASUREMENTS IN CONNECTION WITH THEIR WORK.
- IT IS THE INTENT OF THESE PLANS AND THE RESPONSIBILITY OF THE CONTRACTOR TO COMPLY WITH LOCAL, STATE, AND FEDERAL ENVIRONMENTAL PERMITS ISSUED FOR THIS PROJECT. IT SHALL BE THE CONTRACTOR'S RESPONSIBILITY TO FAMILIARIZE AND GOVERN HIMSELF BY ALL PROVISIONS OF THESE PERMITS.
- APPLICABLE BUILDING CODE: FLORIDA BUILDING CODE, 2020 EDITION (AND CURRENT ADDENDUMS).
- APPROVED CONTRACTOR TO DETERMINE THE SUITABILITY OF EXISTING STRUCTURES AND VERIFY ALL DIMENSIONS. THE APPROVED CONTRACTOR IS RESPONSIBLE FOR ALL METHODS, MEANS, SEQUENCES AND PROCEDURES OF WORK.
- DO NOT SCALE DRAWINGS FOR DIMENSIONS.
- CONTRACTOR TO VERIFY LOCATION OF EXISTING UTILITIES PRIOR TO COMMENCING WORK.
- CONTRACTOR TO PROPERLY FENCE AND SECURE AREA WITH BARRICADES.
- ANY DEVIATION AND/OR SUBSTITUTION FROM THE INFORMATION PROVIDED HEREIN SHALL BE SUBMITTED TO THE ENGINEER FOR APPROVAL PRIOR TO COMMENCEMENT OF WORK.
- ALL NEW MATERIALS AND/OR PATCHWORK SHALL BE PROVIDED TO MATCH EXISTING MATERIALS AND/OR ADJOINING WORK WHERE PRACTICAL EXCEPT AS SPECIFICALLY NOTED HEREIN.
- LICENSED CONTRACTOR SHALL USE ALL POSSIBLE CARE TO PROTECT ALL EXISTING MATERIALS, SURFACES, AND FURNISHINGS FROM DAMAGE DURING ALL PHASES OF CONSTRUCTION.
- THE LICENSED CONTRACTOR TO INSTALL AND REMOVE ALL SHORING AND BRACING AS REQUIRED FOR THE PROPER EXECUTION OF THE WORK.
- ALL NEW WORK AND/OR MATERIALS SHALL CONFORM TO ALL REQUIREMENTS OF EACH ADMINISTRATIVE BODY HAVING JURISDICTION IN EACH PERTAINING CIRCUMSTANCE.

### BOLTS

- ALL BOLTS SHALL BE HOT-DIPPED GALVANIZED, UNLESS OTHERWISE NOTED.

### CONCRETE

- CONCRETE SHALL CONFORM TO ACI 318 (LATEST ED.) AND SHALL BE REGULAR WEIGHT, SULFATE RESISTANT, WITH A DESIGN STRENGTH OF 5,000 PSI AT 28 DAYS W/ A MAX WATER-CEMENTIOUS MATERIALS RATIO, BY WEIGHT, NORMAL WEIGHT AGGREGATE CONCRETE OF 0.40.
- OWNER SHALL EMPLOY AND PAY FOR TESTING SERVICES FROM AN INDEPENDENT TESTING LABORATORY FOR CONCRETE SAMPLING AND TESTING IN ACCORDANCE W/ ASTM.
- LICENSED CONTRACTOR IS RESPONSIBLE FOR THE ADEQUACY OF FORMS AND SHORING AND FOR SAFE PRACTICE IN THEIR USE AND REMOVAL.
- CONCRETE COVER SHALL BE 3" UNLESS OTHERWISE NOTED ON APPROVED DRAWINGS.
- REINFORCING STEEL SHALL BE IN CONFORMANCE WITH THE LATEST VERSION OF ASTM A615 GRADE 60 SPECIFICATIONS. ALL REINFORCEMENT SHALL BE PLACED IN ACCORDANCE W/ ACI 315 AND ACI MANUAL OF STANDARD PRACTICE.
- SPLICES IN REINFORCING BARS SHALL NOT BE LESS THAN 48 BAR DIAMETERS AN REINFORCING SHALL BE CONTINUOUS AROUND ALL CORNERS AND CHANGES IN DIRECTION. CONTINUITY SHALL BE PROVIDED AT CORNERS OR CHANGES IN DIRECTION BY BENDING THE LONGITUDINAL STEEL AROUND THE CORNER 48 BAR DIAMETERS.

### PILE DRIVING NOTES

- PILE DRIVING OPERATIONS SHALL BE OBSERVED BY A SPECIAL INSPECTOR, INCLUDING TEST PILES SUFFICIENT TO DETERMINE THE APPROXIMATE LENGTH REQUIRED TO MEET DESIGN CAPACITY.
- PILES SHALL BE DRIVEN USING AN APPROVED CUSHION BLOCK CONSISTING OF MATERIAL SO ARRANGED SO AS TO PROVIDE THE TRANSMISSION OF THE HAMMER ENERGY.
- PILES SHALL BE DRIVEN TO REQUIRED CAPACITY A MIN 12. INTO BERM.
- PILES SHALL BE DRIVEN WITH A DROP HAMMER OR GRAVITY HAMMER PROVIDED THE HAMMER SHALL WEIGH NO LESS THAN 3,000 POUNDS, AND THE FALL OF THE HAMMER SHALL NOT EXCEED 6 FT.
- PILES SHALL BE DRIVEN WITH A VARIATION OF NOT MORE THAN 1/4" PER FOOT FROM THE VERTICAL, OR FROM THE BATTER LINE INDICATED, WITH A MAX VARIATION OF THE HEAD OF THE PILE FROM THE POSITION SHOWN ON THE PLANS OF NOT MORE THAN 3".
- WHERE PILING MUST PENETRATE STRATA OFFERING HIGH RESISTANCE TO DRIVING, THE STRUCTURAL ENGINEER OF RECORD OR SPECIAL INSPECTOR MAY REQUIRE THAT PILES BE SET IN PRE-DRILLED OR PUNCHED HOLES. THE PILES SHALL REACH THEIR FINAL PENETRATION BY DRIVING.

## HURRICANE COVE MARINA DOCKING FACILITY

Miami, Florida

CLIENT:

**MR. TERYL ZERBY  
HC INVESTORS #1, LLC**

1884 NW NORTH RIVER DRIVE  
MIAMI, FLORIDA 33125

ENVIRONMENTAL CONSULTANT:

**OCEAN  
CONSULTING, LLC**

340 Minorca Avenue, Suite 7  
Coral Gables, Florida 33134  
Tel: (305) 921-9344  
Fax: (305) 677-3254

CONTRACTOR:

PROJECT ENGINEER:

SEAL / SIGNATURE / DATE

### PERMIT DRAWINGS

**Issue # Issue Date**

① September 27, 2021

PROJECT: 14-4125 CLI-2020-0463

**PROJECT LOCATION &  
NOTES**

SCALE : AS SHOWN  
SHEET NO.

**S-1**

**HURRICANE COVE  
MARINA DOCKING  
FACILITY**  
Miami, Florida

CLIENT:  
**MR. TERRYL ZERBY  
HC INVESTORS #1, LLC**  
1884 NW NORTH RIVER DRIVE  
MIAMI, FLORIDA 33125

ENVIRONMENTAL CONSULTANT:  
**OCEAN  
CONSULTING, LLC**  
340 Minorca Avenue, Suite 7  
Coral Gables, Florida 33134  
Tel: (305) 921-9344  
Fax: (305) 677-3254

CONTRACTOR:

PROJECT ENGINEER:

SEAL / SIGNATURE / DATE

**PERMIT DRAWINGS**

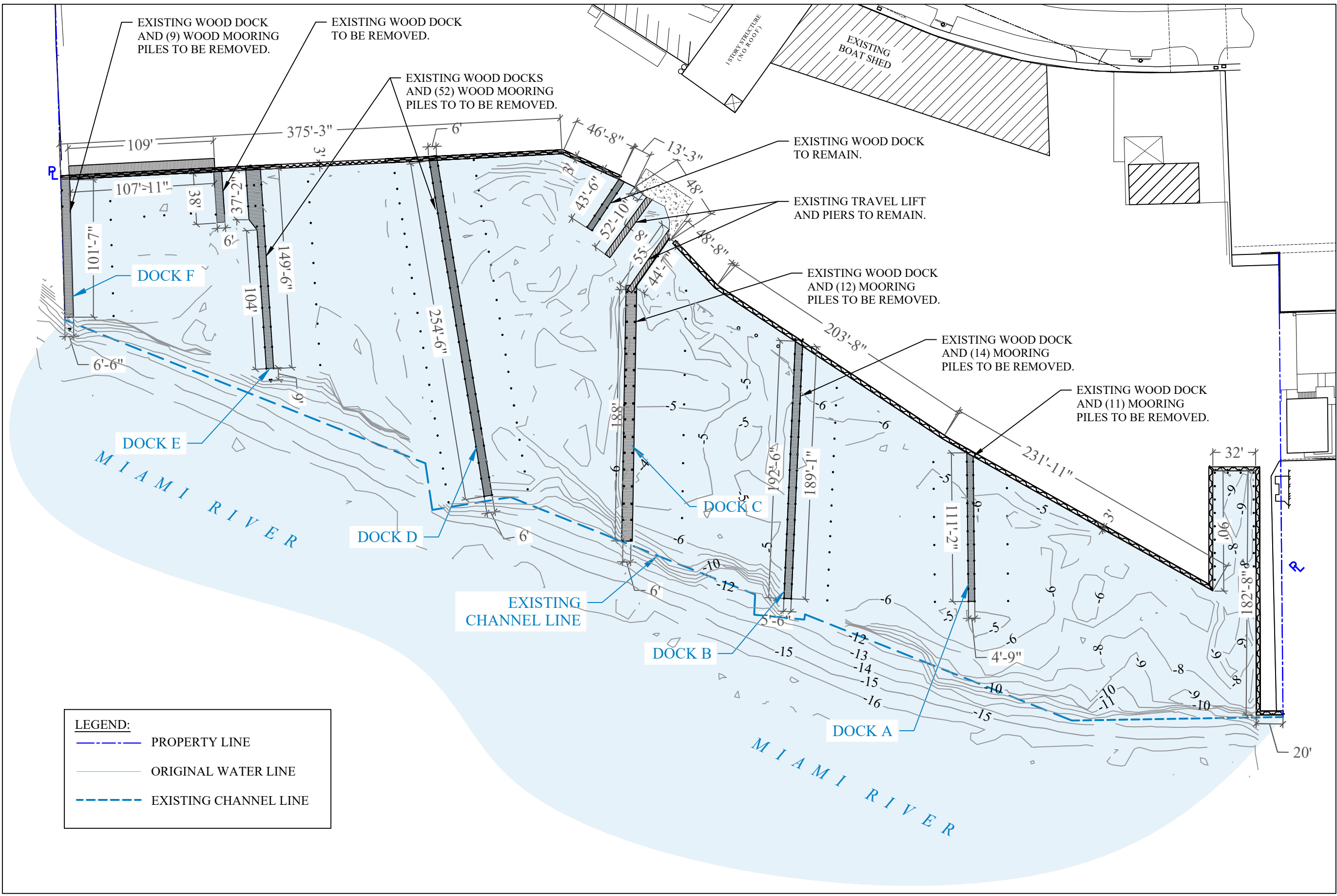
Issue #	Issue Date
①	September 27, 2021

PROJECT: 14-4125 CLI-2020-0463

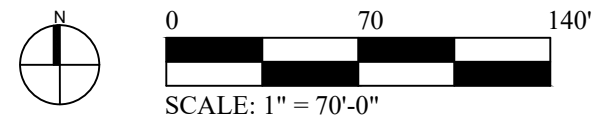
**EXISTING CONDITIONS**

SCALE : AS SHOWN  
SHEET NO.

**S-2**



**LEGEND:**  
 - - - - - PROPERTY LINE  
 ——— ORIGINAL WATER LINE  
 - - - - - EXISTING CHANNEL LINE



**HURRICANE COVE MARINA DOCKING FACILITY**  
Miami, Florida

CLIENT:  
**MR. TERRYL ZERBY  
HC INVESTORS #1, LLC**  
1884 NW NORTH RIVER DRIVE  
MIAMI, FLORIDA 33125

ENVIRONMENTAL CONSULTANT:  
**OCEAN CONSULTING, LLC**  
340 Minorca Avenue, Suite 7  
Coral Gables, Florida 33134  
Tel: (305) 921-9344  
Fax: (305) 677-3254

CONTRACTOR:

PROJECT ENGINEER:

SEAL / SIGNATURE / DATE

**PERMIT DRAWINGS**

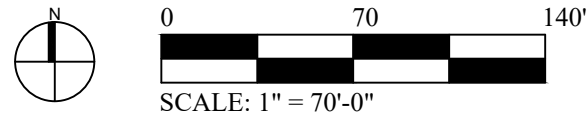
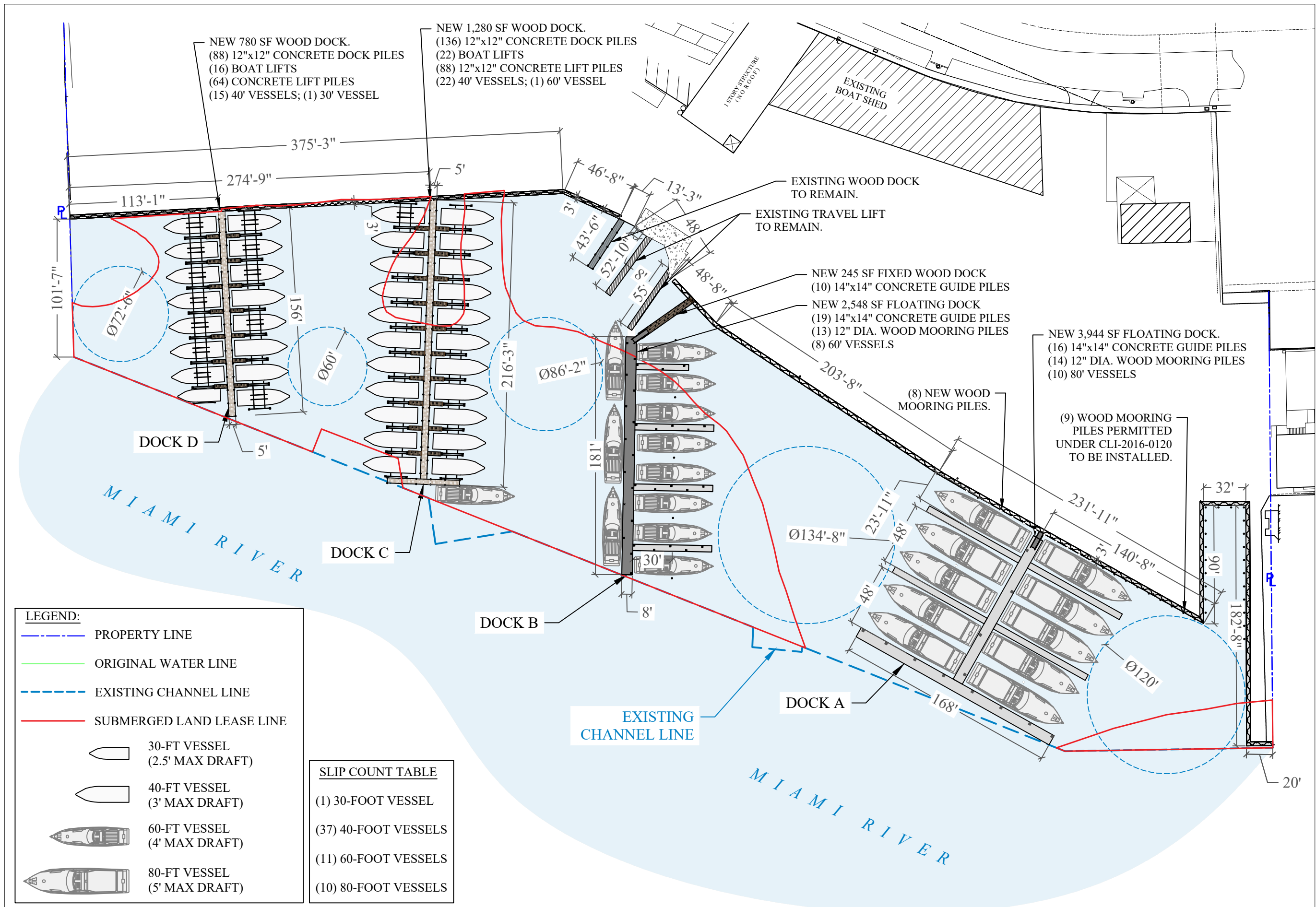
Issue #	Issue Date
①	September 27, 2021

PROJECT: 14-4125 CLI-2020-0463

**PROPOSED CONDITIONS**

SCALE : AS SHOWN  
SHEET NO.

**S-3**



**HURRICANE COVE  
MARINA DOCKING  
FACILITY**

Miami, Florida

CLIENT:  
**MR. TERRYL ZERBY  
HC INVESTORS #1, LLC**  
1884 NW NORTH RIVER DRIVE  
MIAMI, FLORIDA 33125

ENVIRONMENTAL CONSULTANT:  
**OCEAN  
CONSULTING, LLC**  
340 Minorca Avenue, Suite 7  
Coral Gables, Florida 33134  
Tel: (305) 921-9344  
Fax: (305) 677-3254

CONTRACTOR:

PROJECT ENGINEER:

SEAL / SIGNATURE / DATE

**PERMIT DRAWINGS**

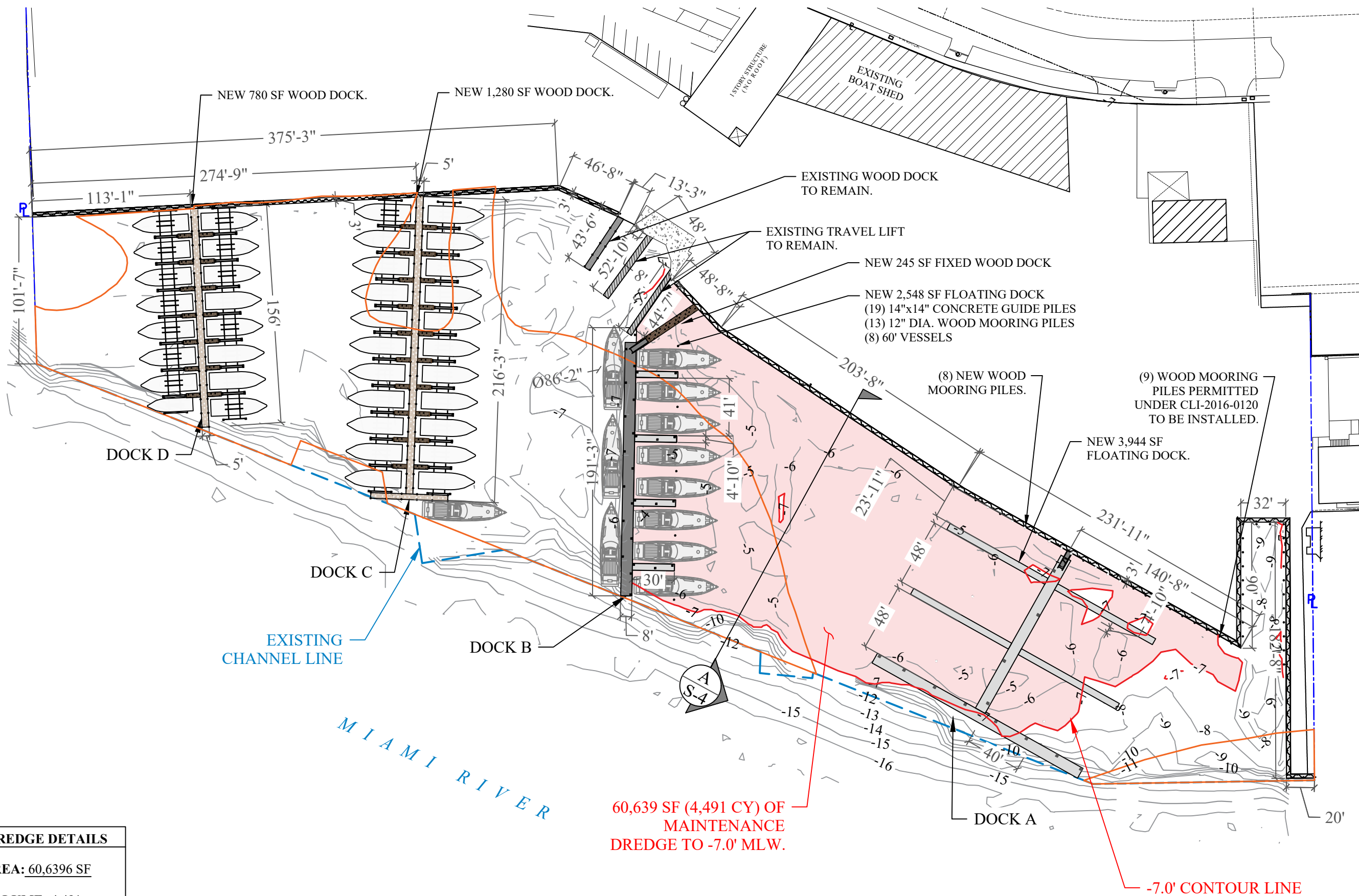
Issue #	Issue Date
①	September 27, 2021

PROJECT: 14-4125 CLI-2020-0463

**PROPOSED  
DREDGE PLAN**

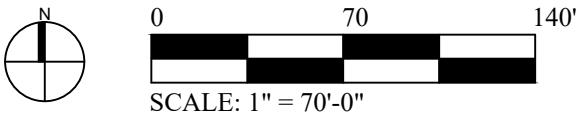
SCALE : AS SHOWN  
SHEET NO.

**S-3.1**



**DREDGE DETAILS**

AREA:	60,6396 SF
VOLUME:	4,491
DEPTH:	-7.0' NGVD



**HURRICANE COVE  
MARINA DOCKING  
FACILITY**  
Miami, Florida

CLIENT:  
**MR. TERRYL ZERBY  
HC INVESTORS #1, LLC**  
1884 NW NORTH RIVER DRIVE  
MIAMI, FLORIDA 33125

ENVIRONMENTAL CONSULTANT:  
**OCEAN  
CONSULTING, LLC**  
340 Minorca Avenue, Suite 7  
Coral Gables, Florida 33134  
Tel: (305) 921-9344  
Fax: (305) 677-3254

CONTRACTOR:

PROJECT ENGINEER:

SEAL / SIGNATURE / DATE

**PERMIT DRAWINGS**

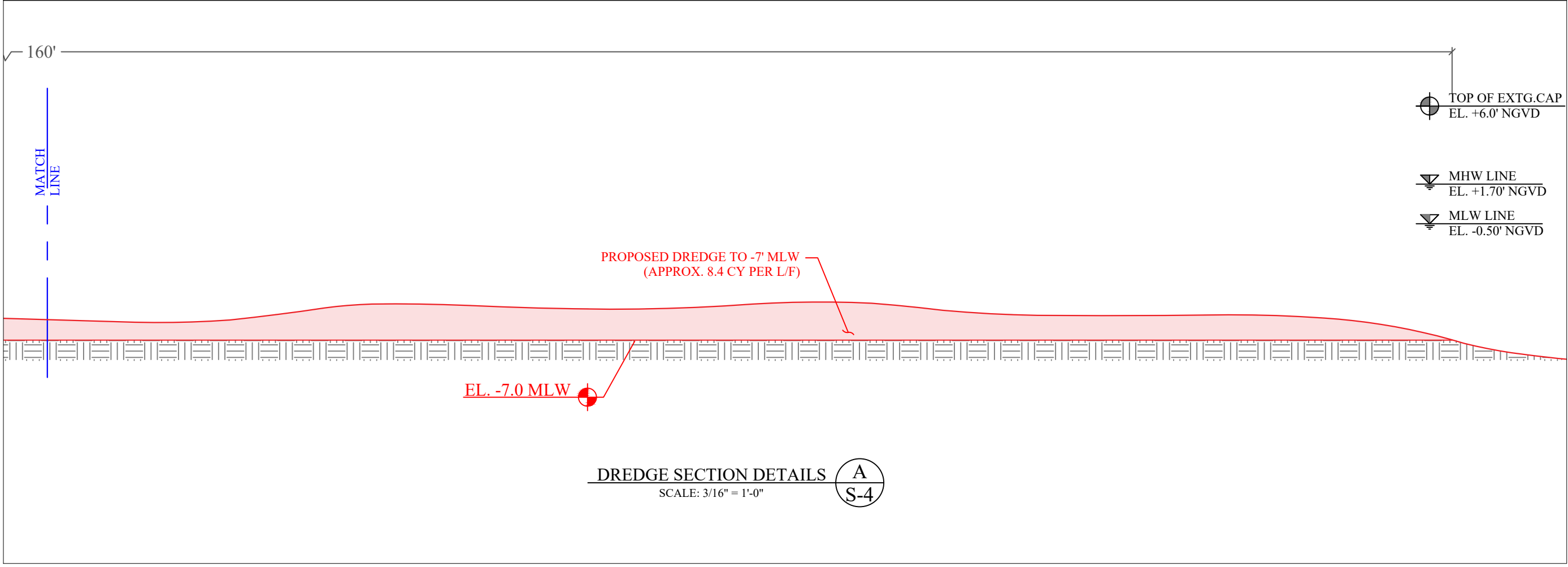
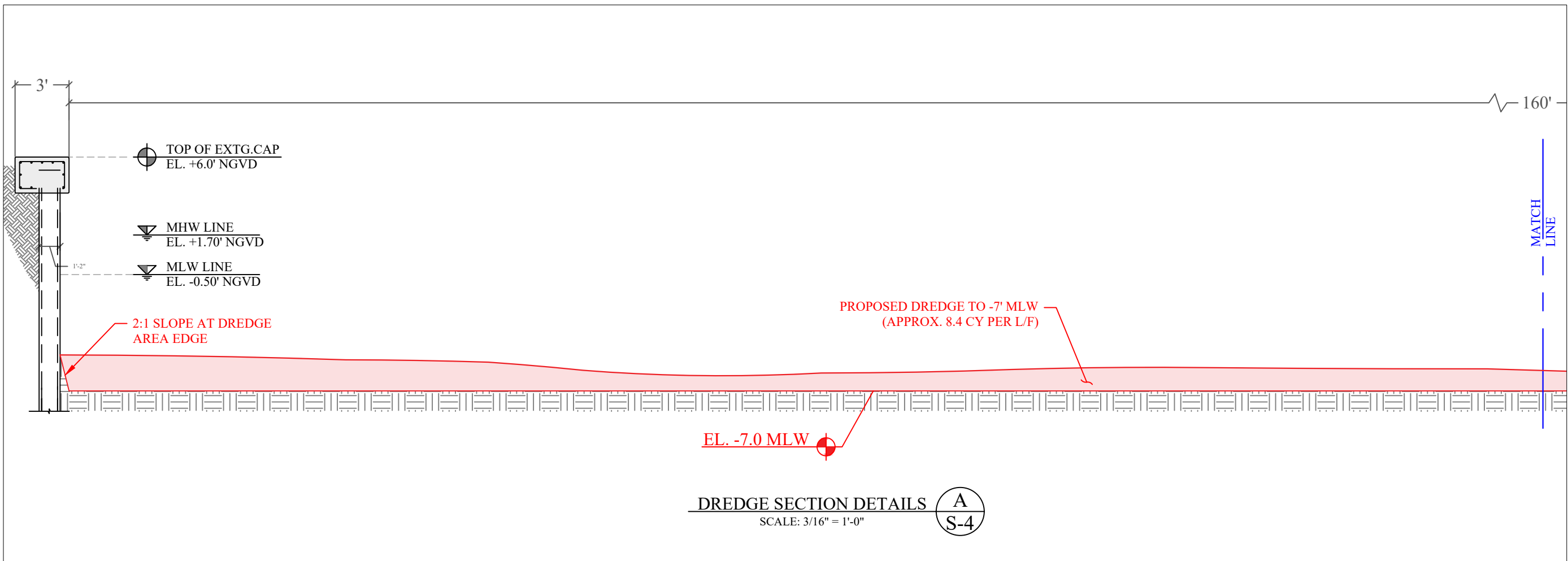
Issue #	Issue Date
①	September 27, 2021

PROJECT: 14-4125 CLI-2020-0463

**PROPOSED DREDGE  
SECTION**

SCALE : AS SHOWN  
SHEET NO.

**S-4**



# HURRICANE COVE MARINA DOCKING FACILITY

Miami, Florida

CLIENT:  
**MR. TERRYL ZERBY**  
**HC INVESTORS #1, LLC**  
 1884 NW NORTH RIVER DRIVE  
 MIAMI, FLORIDA 33125

ENVIRONMENTAL CONSULTANT:  
**OCEAN CONSULTING, LLC**  
 340 Minorca Avenue, Suite 7  
 Coral Gables, Florida 33134  
 Tel: (305) 921-9344  
 Fax: (305) 677-3254

CONTRACTOR:

PROJECT ENGINEER:

SEAL / SIGNATURE / DATE

## PERMIT DRAWINGS

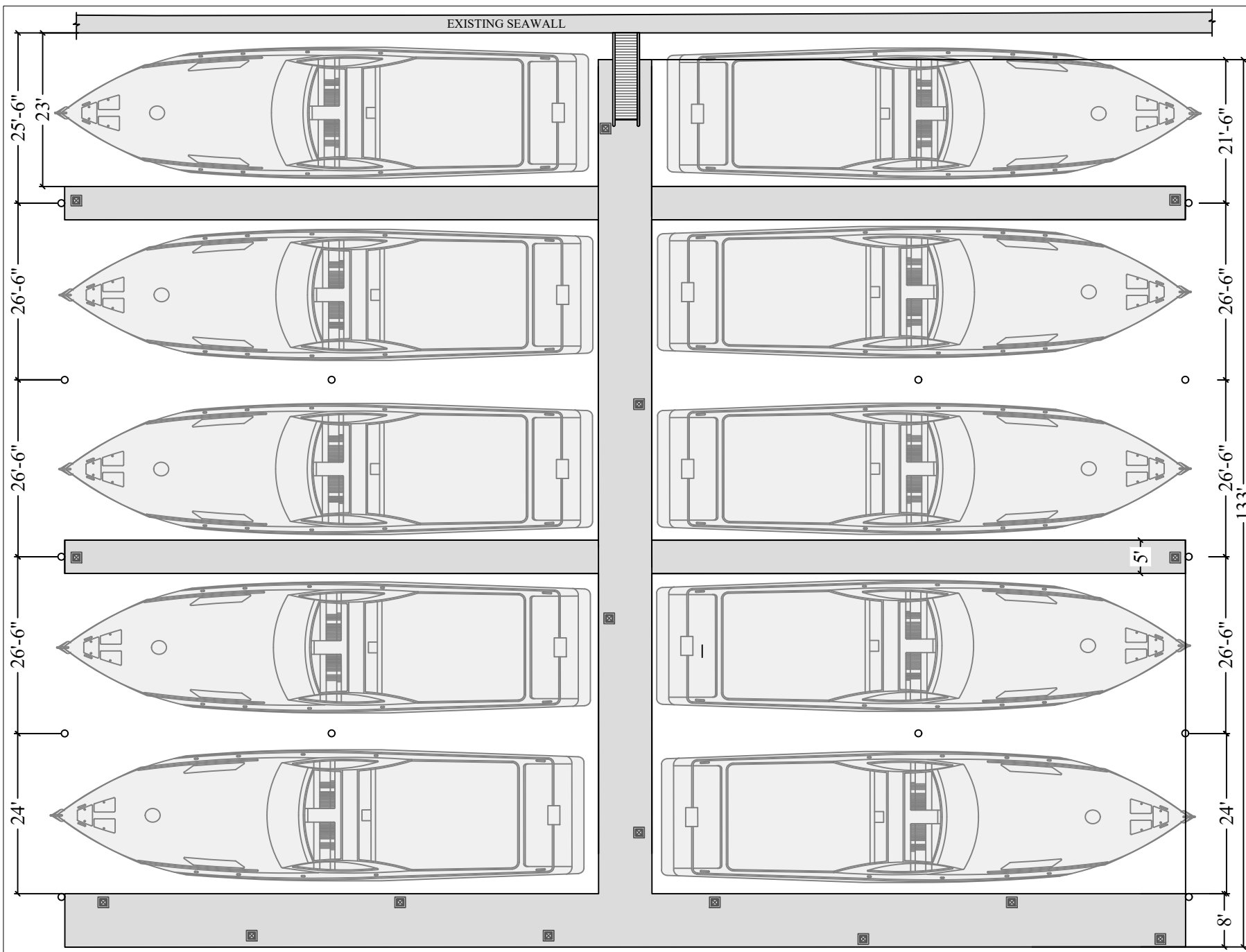
Issue #	Issue Date
①	September 27, 2021

PROJECT: 14-4125 CLI-2020-0463

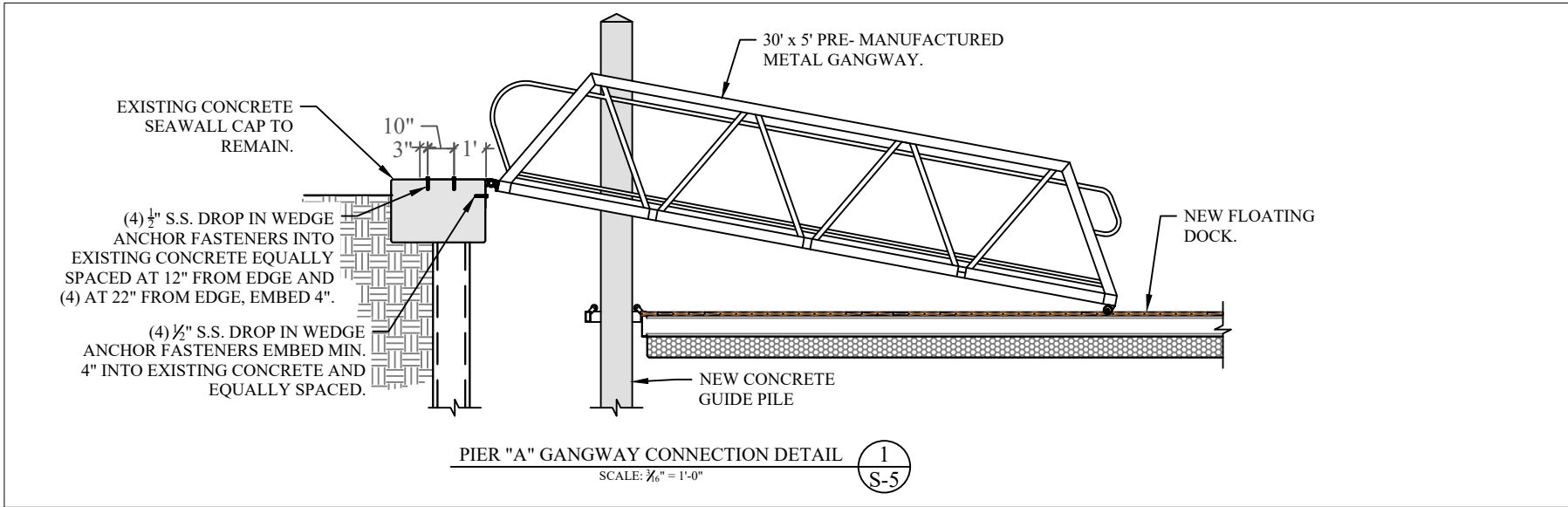
PROPOSED CONDITIONS:  
 PIER "A" & TYPICAL SLIP  
 DETAILS

SCALE : AS SHOWN  
 SHEET NO.

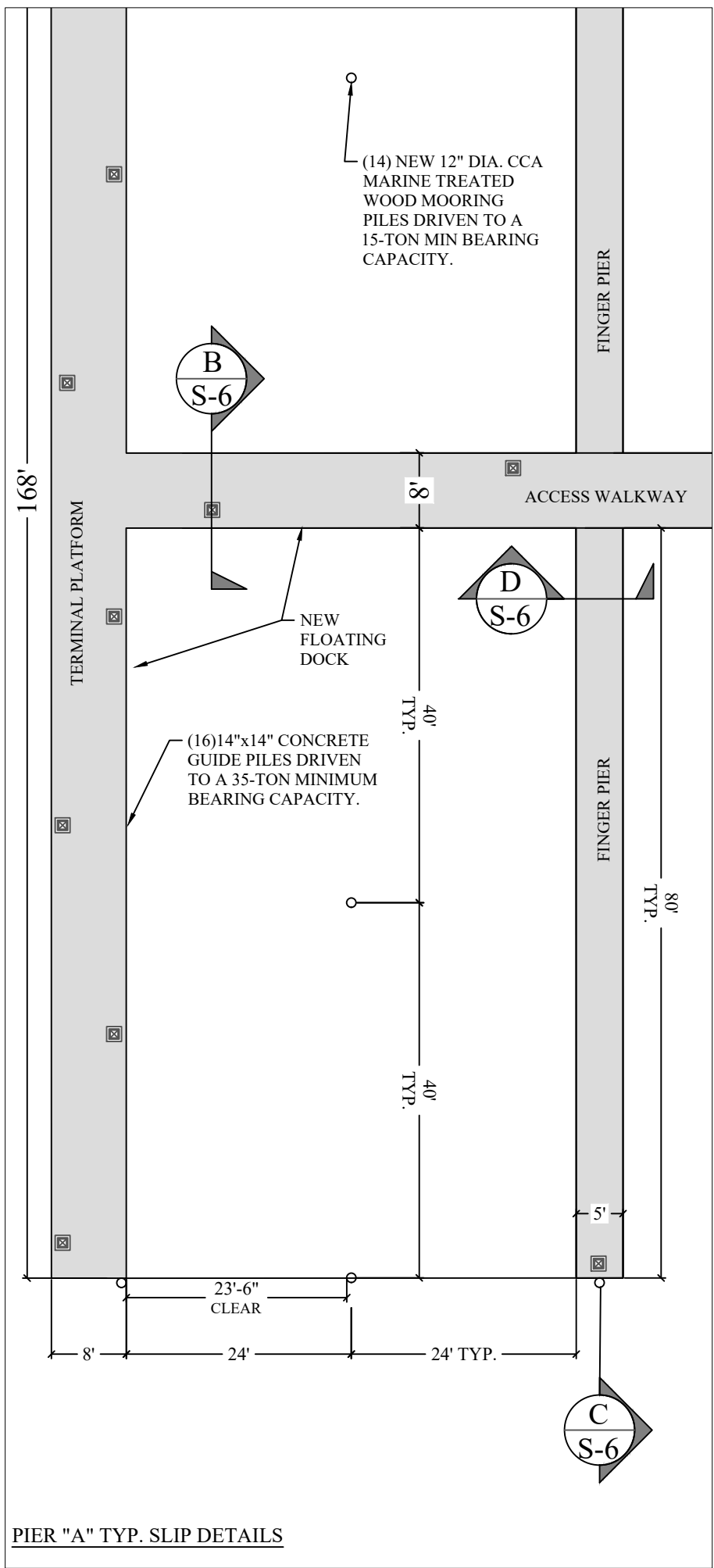
# S-5



PIER "A" DOCK PLAN



PIER "A" GANGWAY CONNECTION DETAIL  
 SCALE: 3/16" = 1'-0" 1  
S-5



PIER "A" TYP. SLIP DETAILS

**HURRICANE COVE  
MARINA DOCKING  
FACILITY**

Miami, Florida

CLIENT:

**MR. TERRYL ZERBY  
HC INVESTORS #1, LLC**

1884 NW NORTH RIVER DRIVE  
MIAMI, FLORIDA 33125

ENVIRONMENTAL CONSULTANT:

**OCEAN  
CONSULTING, LLC**

340 Minorca Avenue, Suite 7  
Coral Gables, Florida 33134

Tel: (305) 921-9344  
Fax: (305) 677-3254

CONTRACTOR:

PROJECT ENGINEER:

SEAL / SIGNATURE / DATE

**PERMIT DRAWINGS**

**Issue # Issue Date**

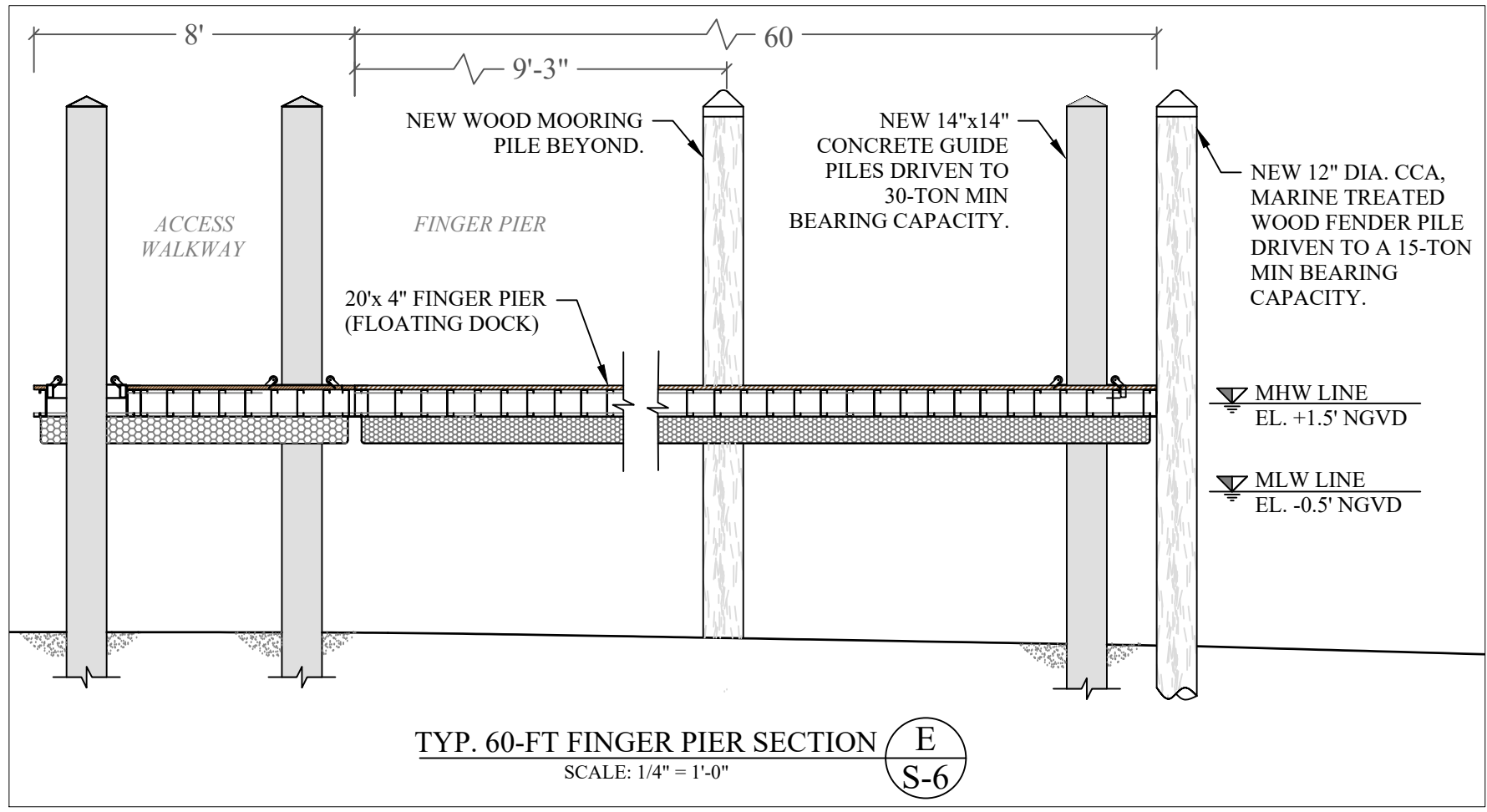
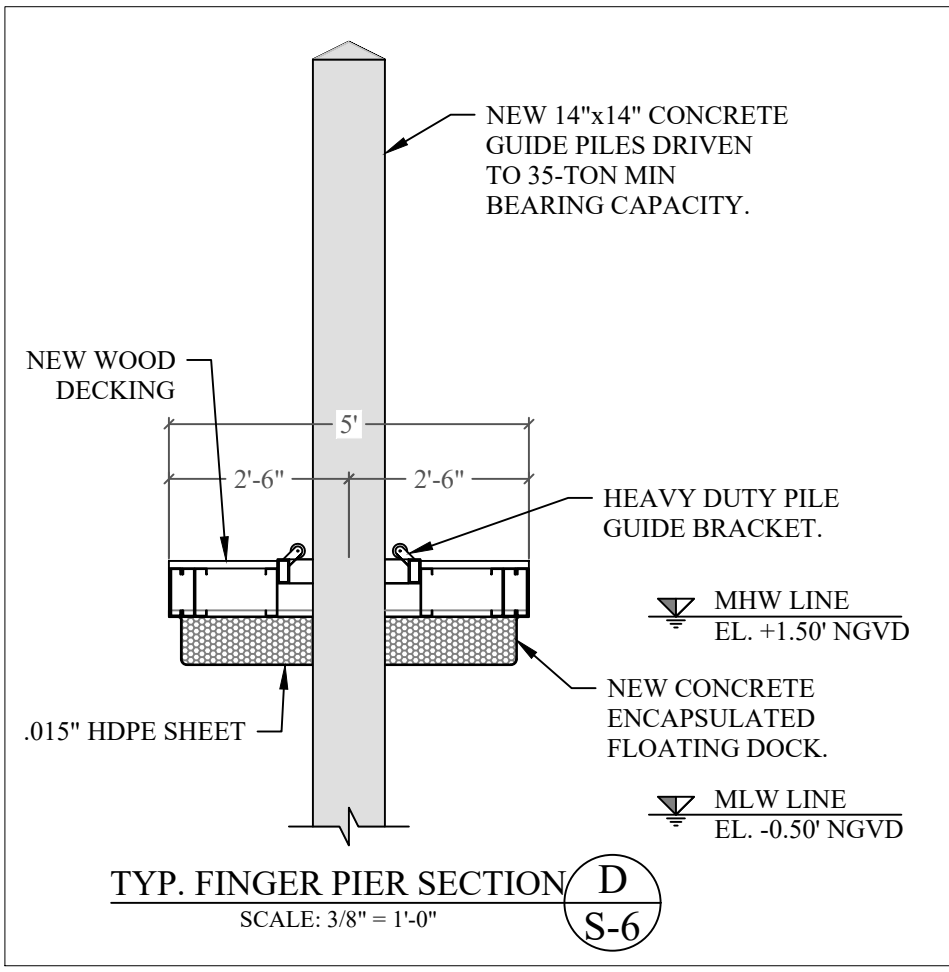
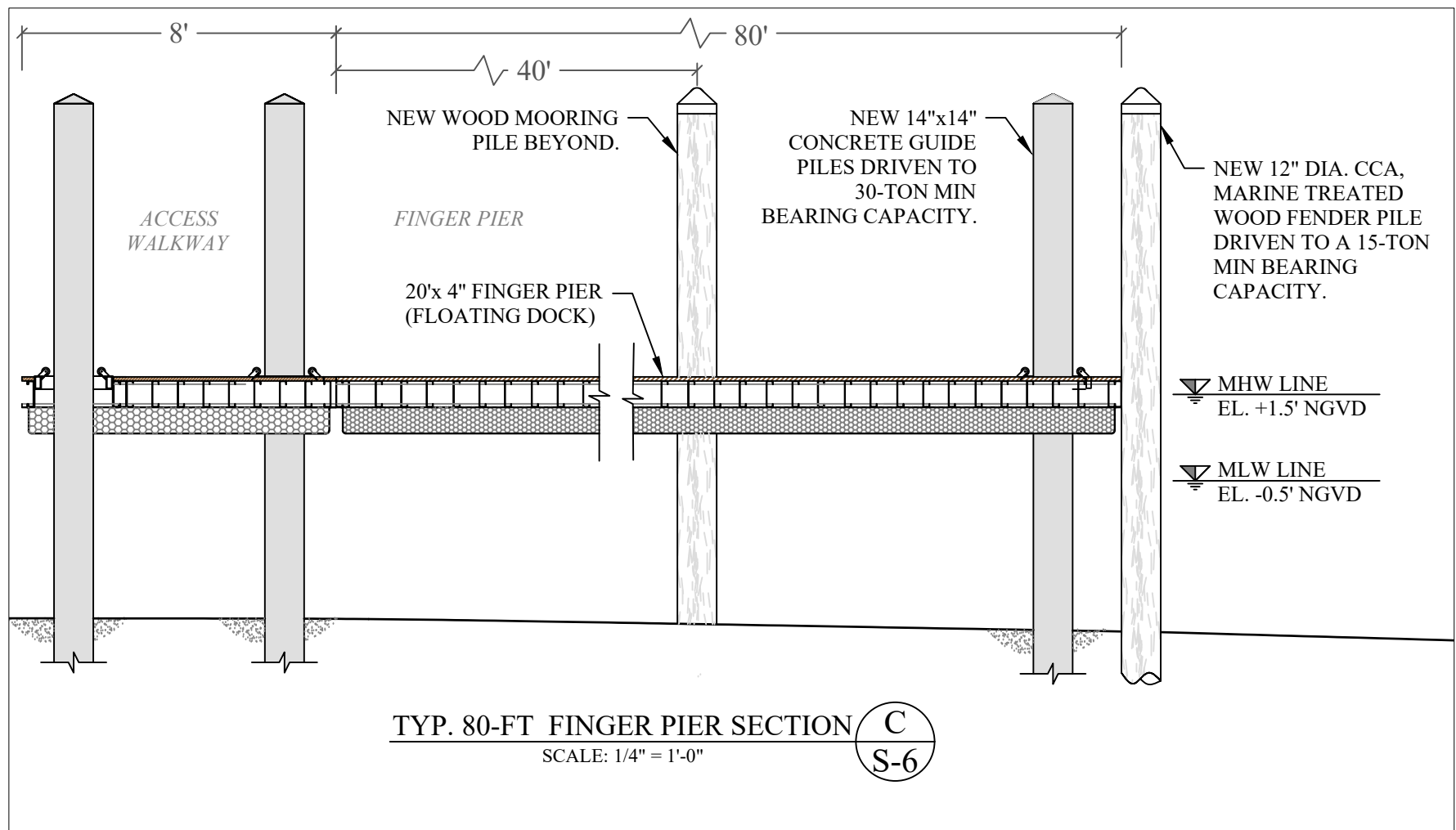
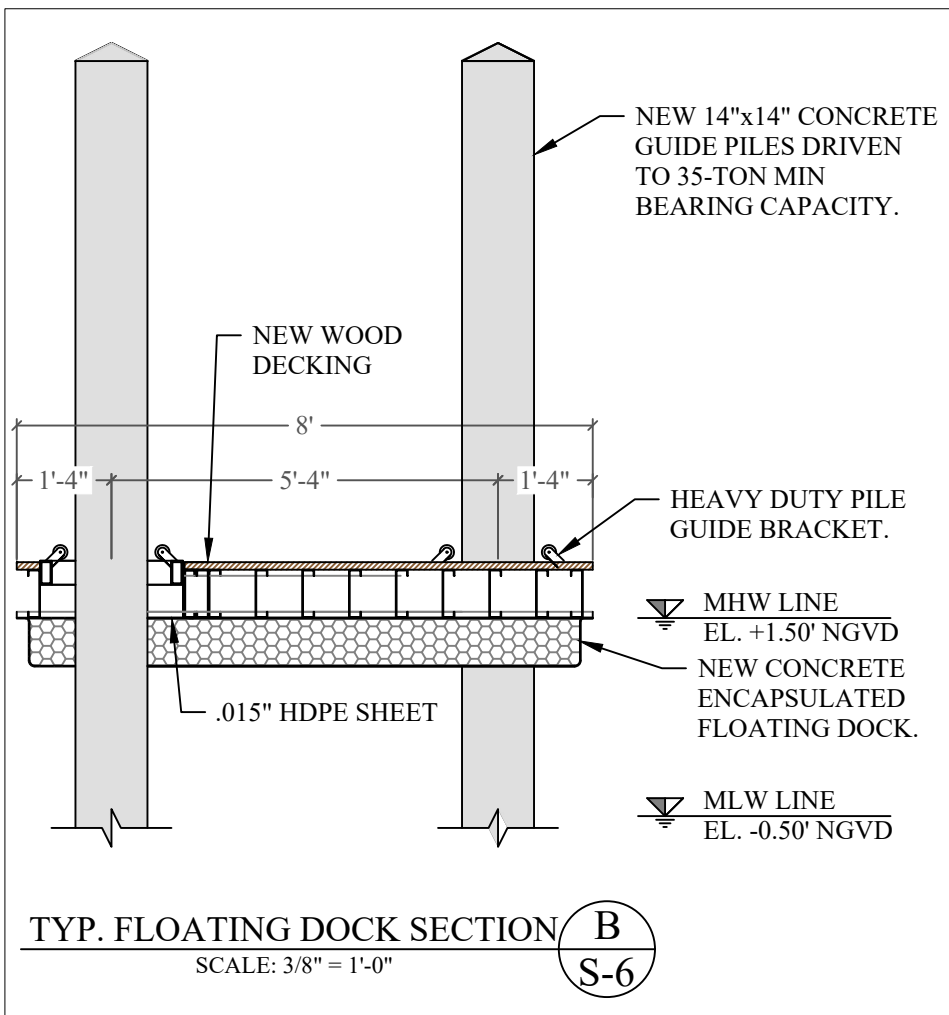
① September 27, 2021

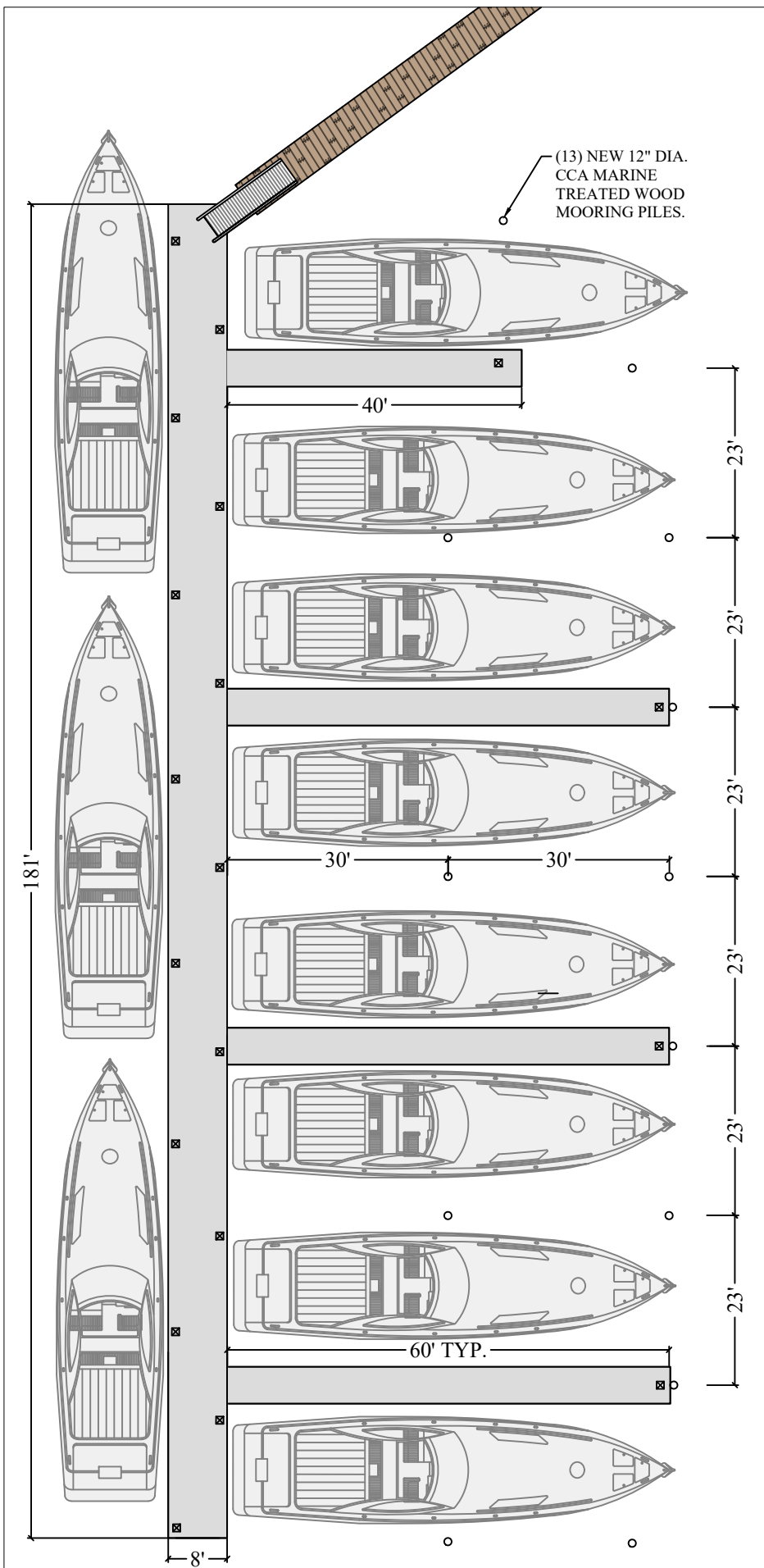
PROJECT: 14-4125 CLI-2020-0463

PROPOSED CONDITIONS:  
PIER "A" & TYPICAL SLIP  
DETAILS, AND CONCRETE  
PILE DETAIL

SCALE : AS SHOWN

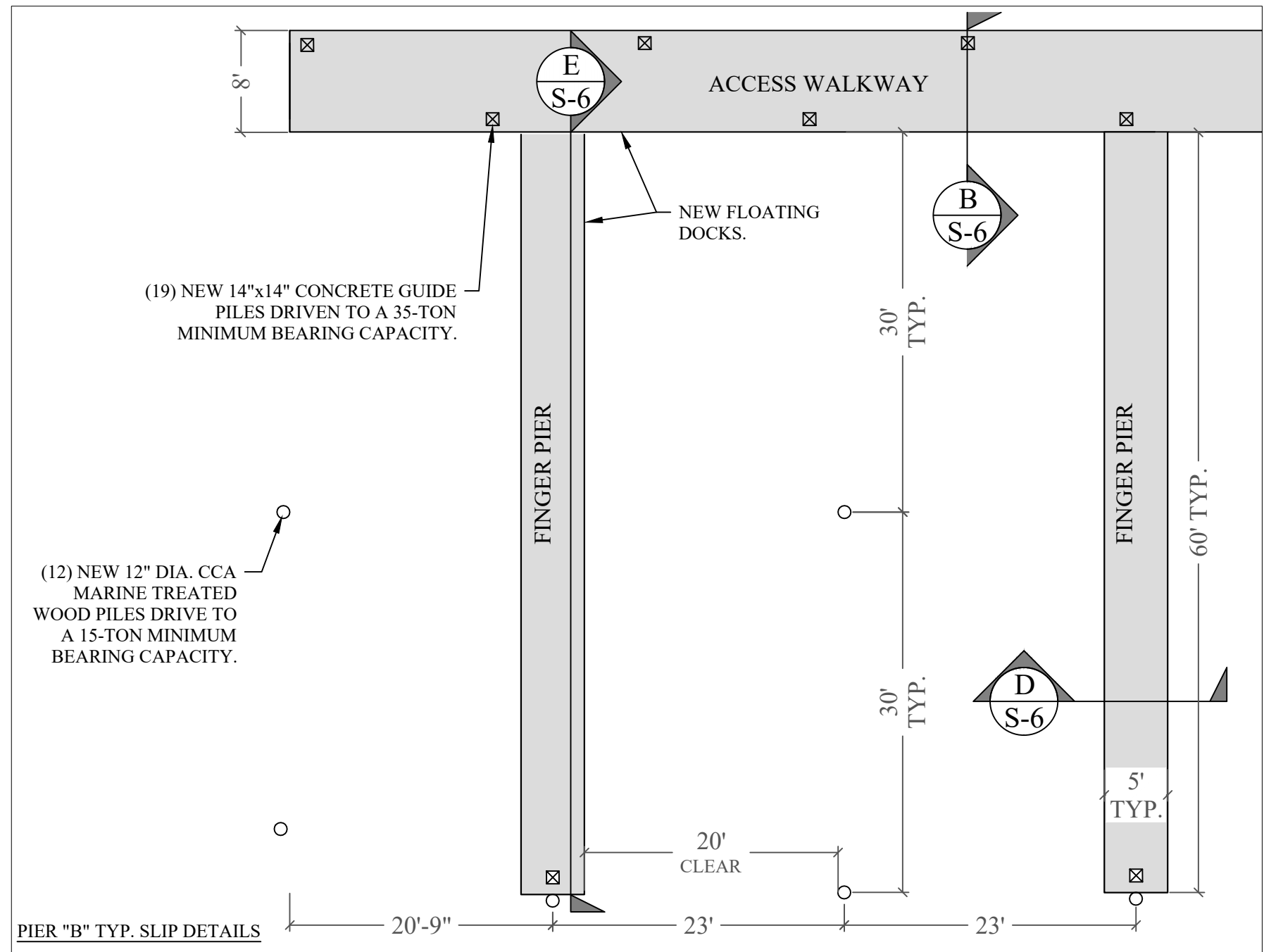
SHEET NO.





(13) NEW 12" DIA. CCA MARINE TREATED WOOD MOORING PILES.

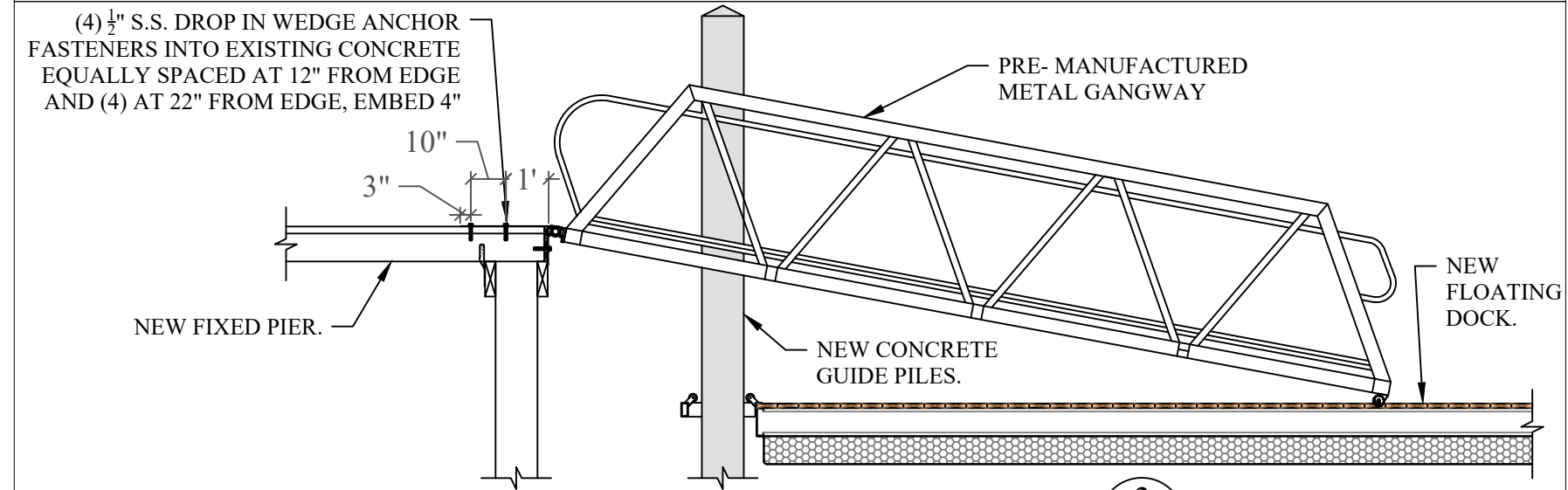
PIER "B" DOCK PLAN



(19) NEW 14"x14" CONCRETE GUIDE PILES DRIVEN TO A 35-TON MINIMUM BEARING CAPACITY.

(12) NEW 12" DIA. CCA MARINE TREATED WOOD PILES DRIVE TO A 15-TON MINIMUM BEARING CAPACITY.

PIER "B" TYP. SLIP DETAILS



(4) 1/2" S.S. DROP IN WEDGE ANCHOR FASTENERS INTO EXISTING CONCRETE EQUALLY SPACED AT 12" FROM EDGE AND (4) AT 22" FROM EDGE, EMBED 4"

PIER "B" GANGWAY CONNECTION DETAIL  
SCALE: 1/4" = 1'-0"

**HURRICANE COVE MARINA DOCKING FACILITY**  
Miami, Florida

CLIENT:  
**MR. TERRYL ZERBY  
HC INVESTORS #1, LLC**  
1884 NW NORTH RIVER DRIVE  
MIAMI, FLORIDA 33125

ENVIRONMENTAL CONSULTANT:  
**OCEAN CONSULTING, LLC**  
340 Minorca Avenue, Suite 7  
Coral Gables, Florida 33134  
Tel: (305) 921-9344  
Fax: (305) 677-3254

CONTRACTOR:

PROJECT ENGINEER:

SEAL / SIGNATURE / DATE

**PERMIT DRAWINGS**

Issue #	Issue Date
①	September 27, 2021

PROJECT: 14-4125 CLI-2020-0463

**PROPOSED CONDITIONS**

SCALE : AS SHOWN  
SHEET NO.



**HURRICANE COVE  
MARINA DOCKING  
FACILITY**  
Miami, Florida

CLIENT:  
**MR. TERRYL ZERBY  
HC INVESTORS #1, LLC**  
1884 NW NORTH RIVER DRIVE  
MIAMI, FLORIDA 33125

ENVIRONMENTAL CONSULTANT:  
**OCEAN  
CONSULTING, LLC**  
340 Minorca Avenue, Suite 7  
Coral Gables, Florida 33134  
Tel: (305) 921-9344  
Fax: (305) 677-3254

CONTRACTOR:

PROJECT ENGINEER:

SEAL / SIGNATURE / DATE

**PERMIT DRAWINGS**

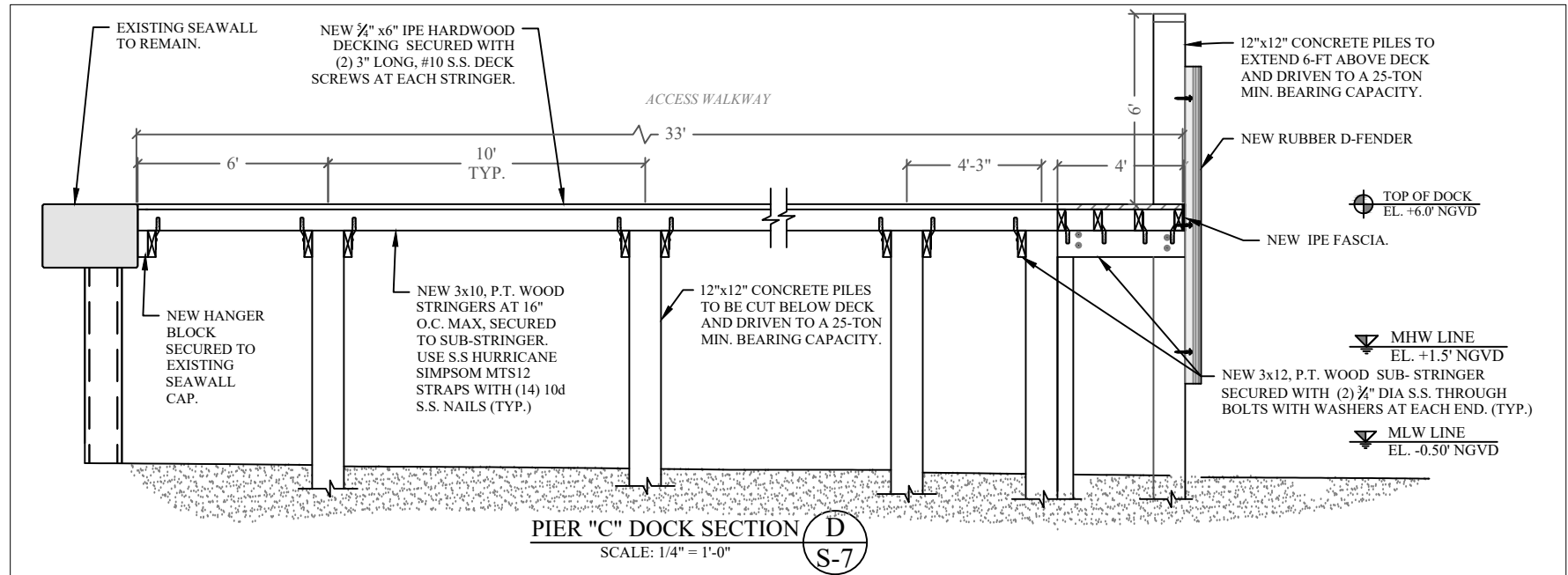
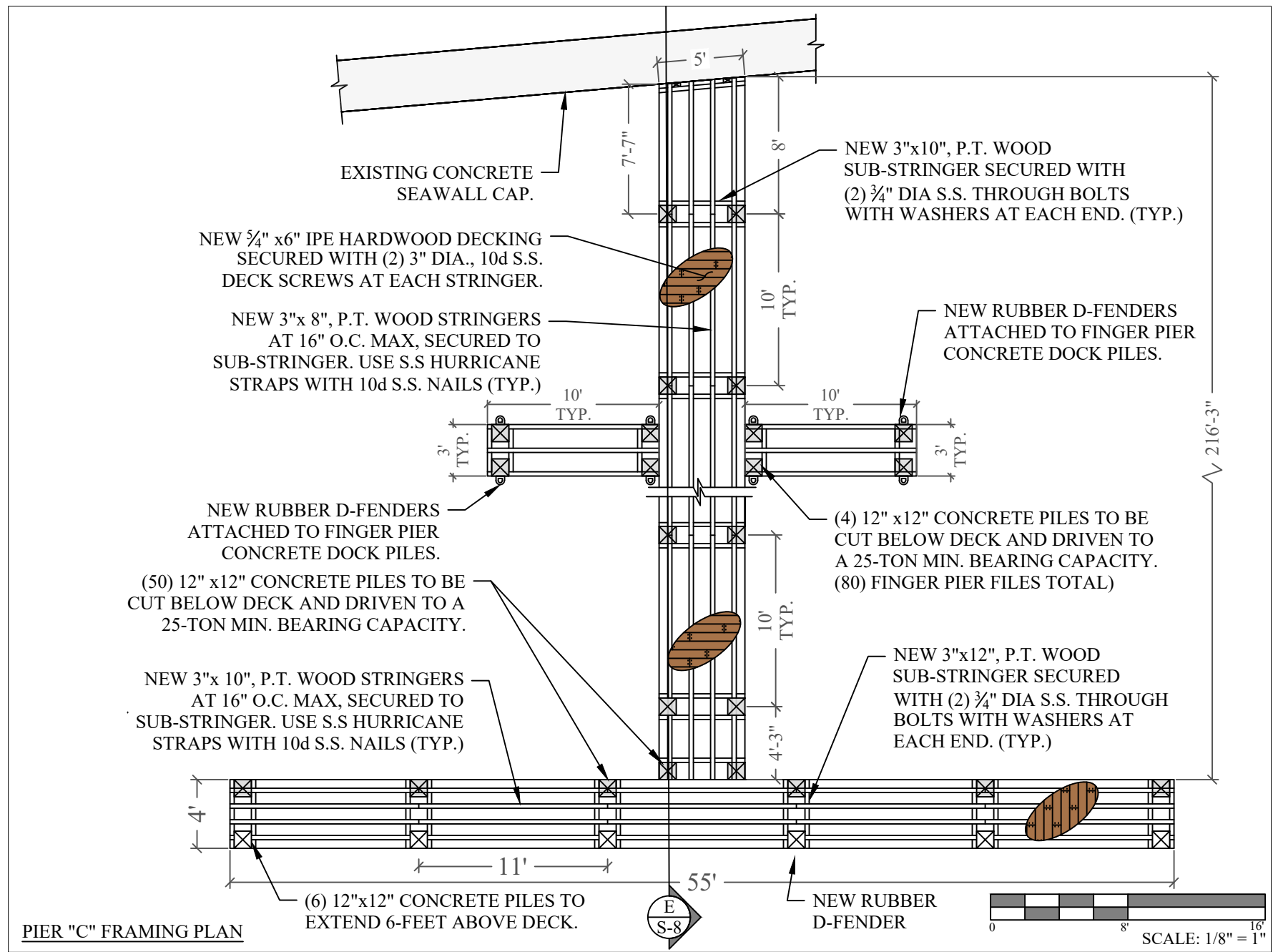
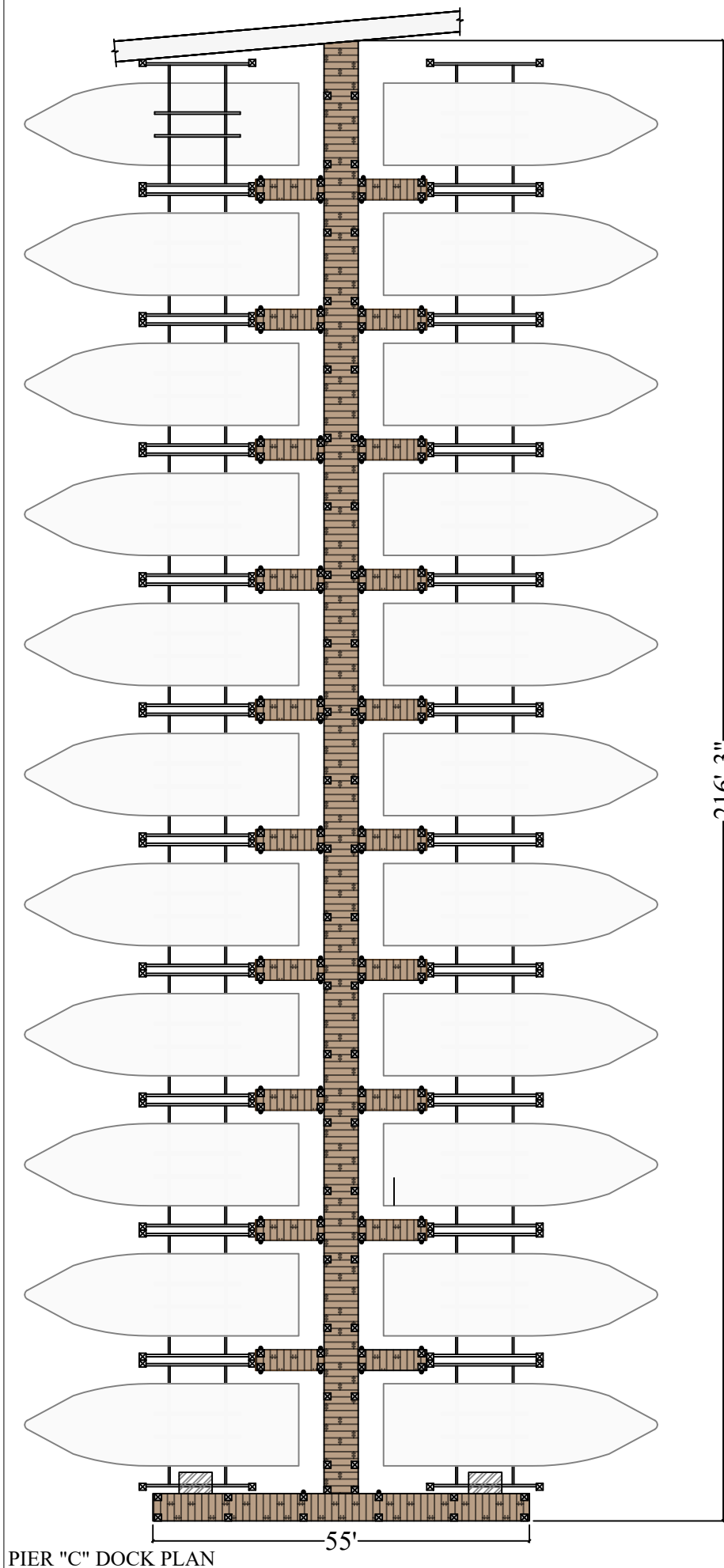
**Issue # Issue Date**  
① September 27, 2021

PROJECT: 14-4125 CLI-2020-0463

**PROPOSED CONDITIONS**

SCALE : AS SHOWN  
SHEET NO.

**S-8**



**HURRICANE COVE  
MARINA DOCKING  
FACILITY**  
Miami, Florida

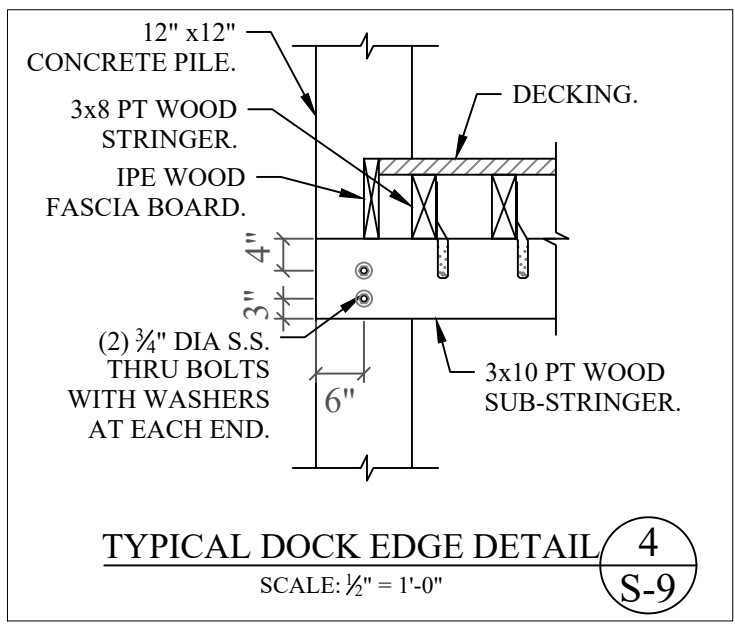
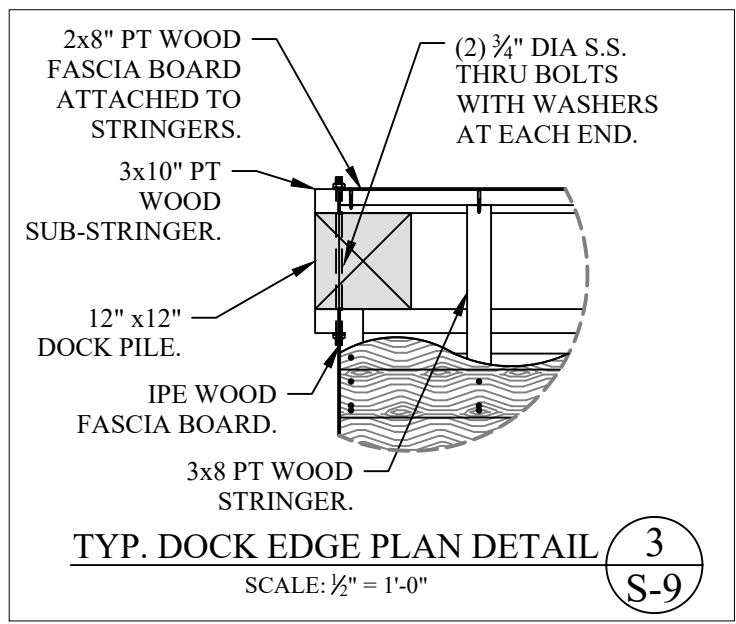
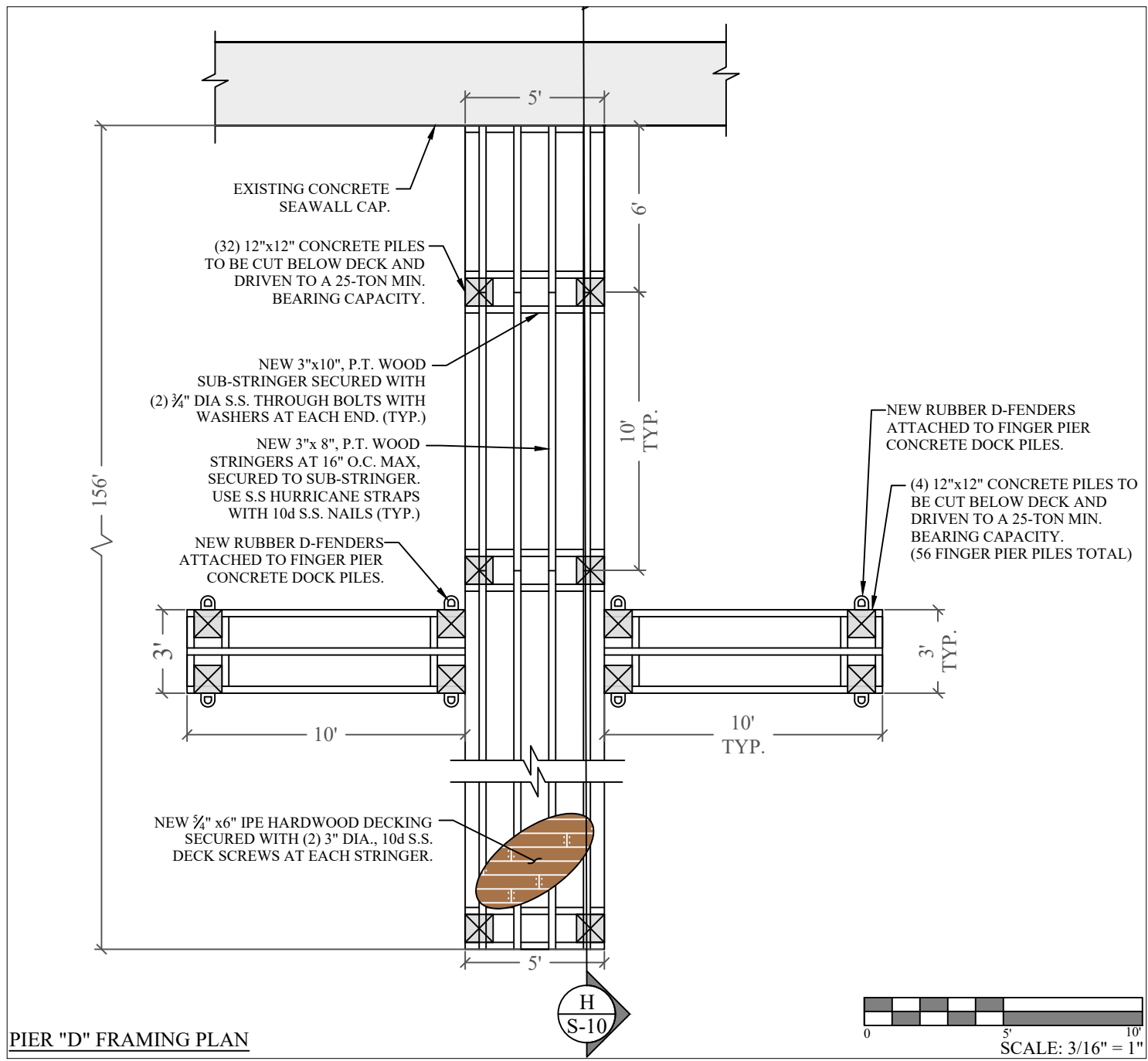
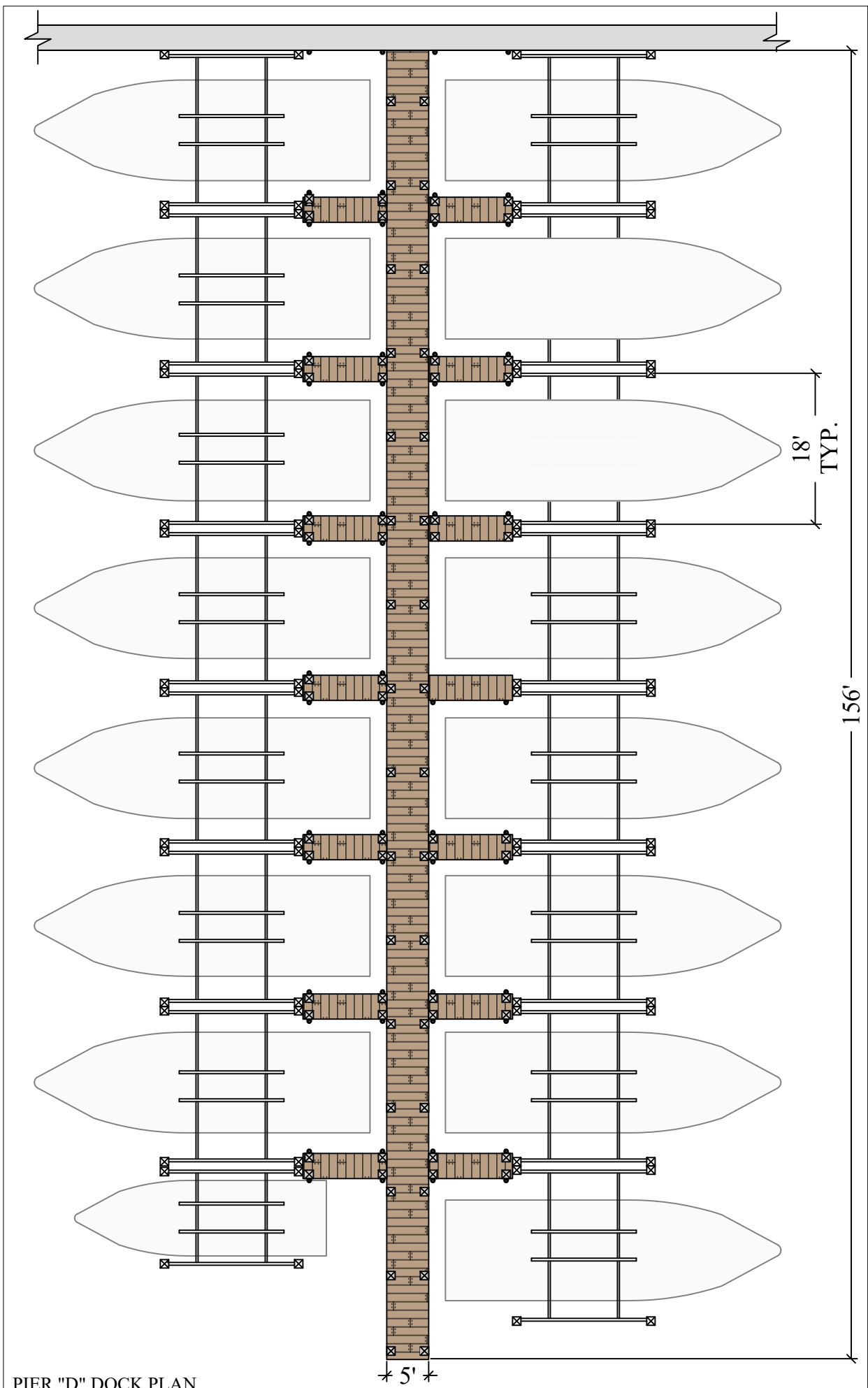
CLIENT:  
**MR. TERRYL ZERBY  
HC INVESTORS #1, LLC**  
1884 NW NORTH RIVER DRIVE  
MIAMI, FLORIDA 33125

ENVIRONMENTAL CONSULTANT:  
**OCEAN  
CONSULTING, LLC**  
340 Minorca Avenue, Suite 7  
Coral Gables, Florida 33134  
Tel: (305) 921-9344  
Fax: (305) 677-3254

CONTRACTOR:

PROJECT ENGINEER:

SEAL / SIGNATURE / DATE



**PERMIT DRAWINGS**

Issue #	Issue Date
①	September 27, 2021

PROJECT: 14-4125 CLI-2020-0463

**PROPOSED CONDITIONS  
PIER "D" & PILE DETAILS**

SCALE : AS SHOWN  
SHEET NO.

**S-9**

**HURRICANE COVE  
MARINA DOCKING  
FACILITY**

Miami, Florida

CLIENT:

**MR. TERRYL ZERBY  
HC INVESTORS #1, LLC**

1884 NW NORTH RIVER DRIVE  
MIAMI, FLORIDA 33125

ENVIRONMENTAL CONSULTANT:

**OCEAN  
CONSULTING, LLC**

340 Minorca Avenue, Suite 7  
Coral Gables, Florida 33134  
Tel: (305) 921-9344  
Fax: (305) 677-3254

CONTRACTOR:

PROJECT ENGINEER:

SEAL / SIGNATURE / DATE

**PERMIT DRAWINGS**

Issue # Issue Date

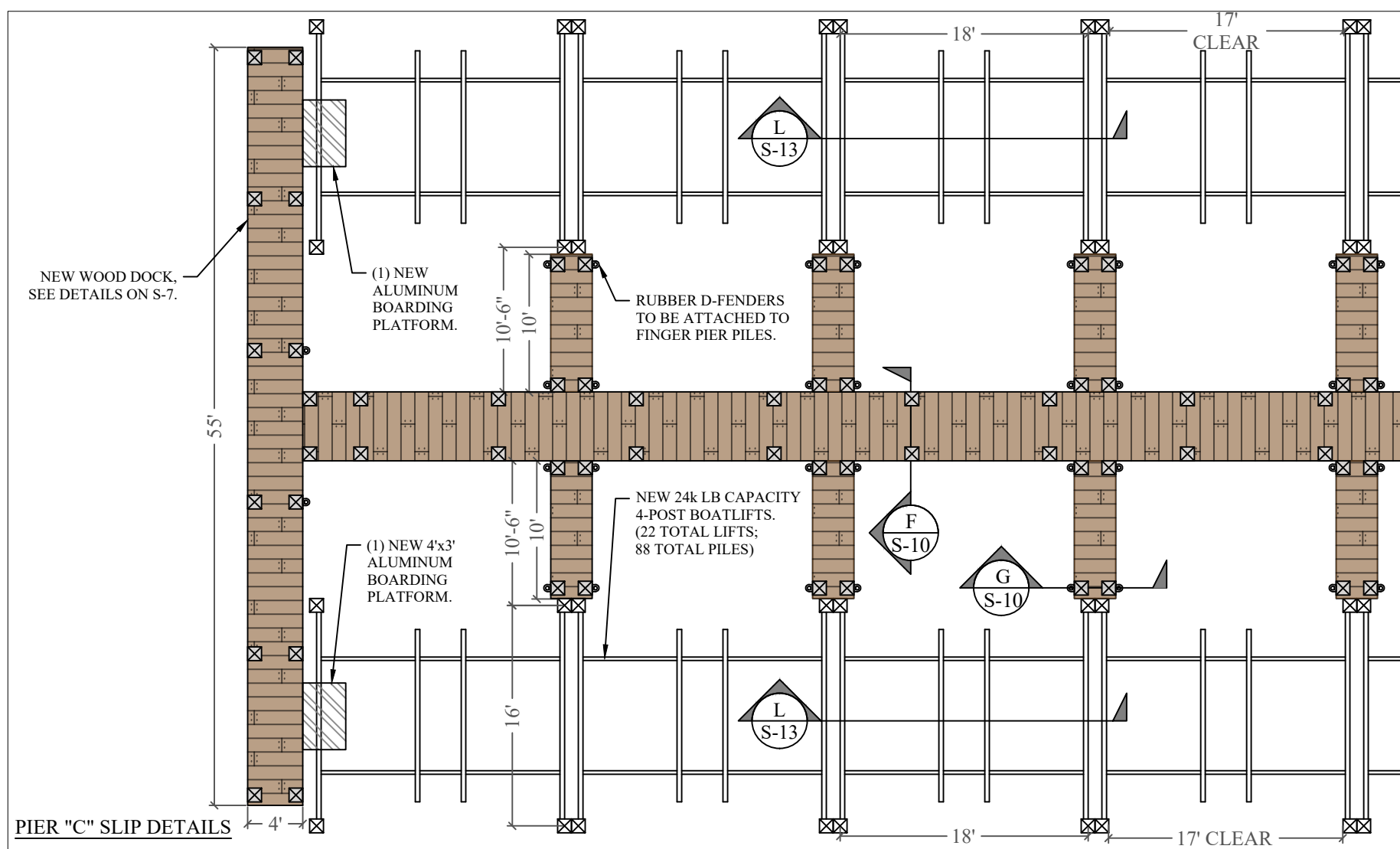
① September 27, 2021

PROJECT: 14-4125 CLI-2020-0463

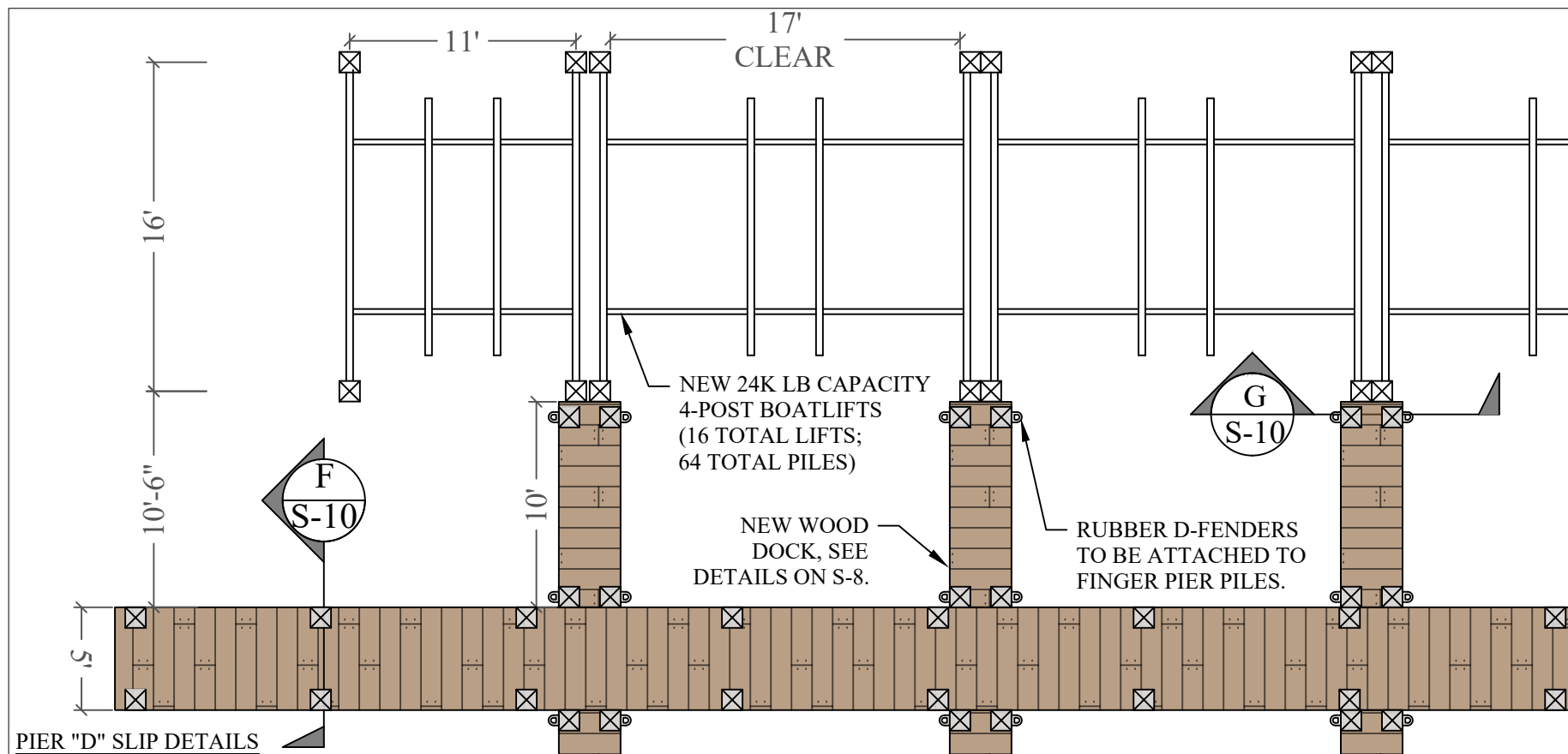
**PIER A SECTION &  
BOATLIFT SECTION**

SCALE : AS SHOWN  
SHEET NO.

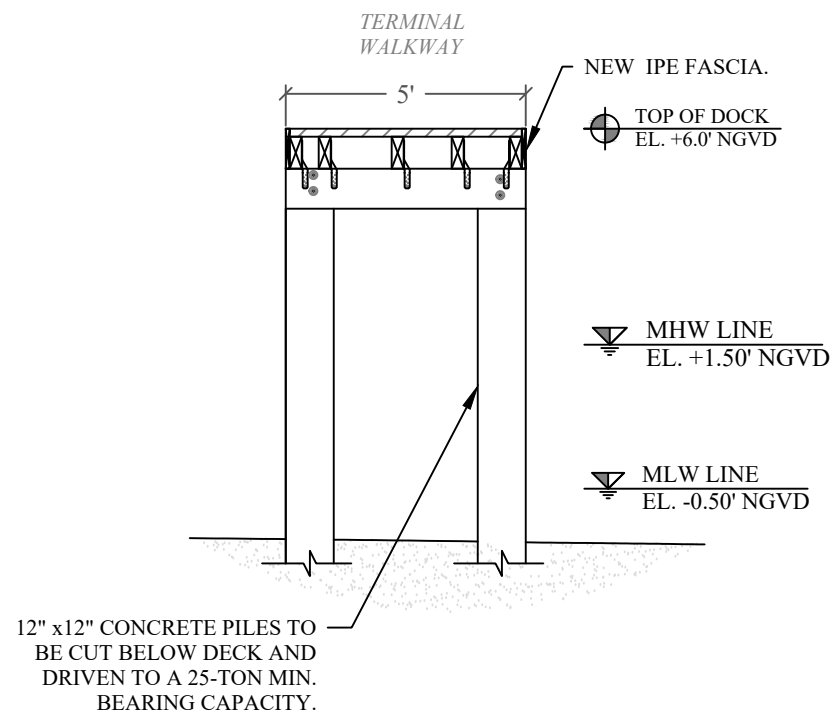
**S-10**



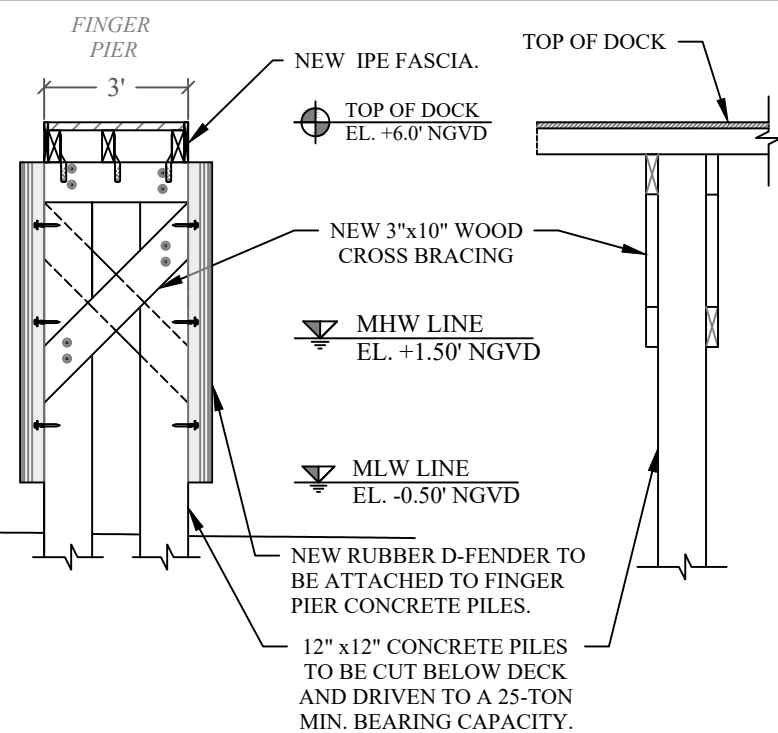
PIER "C" SLIP DETAILS



PIER "D" SLIP DETAILS



ACCESS WALKWAY SECTION **F**  
SCALE: 1/4" = 1'-0" **S-10**



TYP. FINGER PIER SECTION **G**  
SCALE: 1/4" = 1'-0" **S-10**

**HURRICANE COVE  
MARINA DOCKING  
FACILITY**

Miami, Florida

CLIENT:  
**MR. TERRYL ZERBY  
HC INVESTORS #1, LLC**  
1884 NW NORTH RIVER DRIVE  
MIAMI, FLORIDA 33125

ENVIRONMENTAL CONSULTANT:  
**OCEAN  
CONSULTING, LLC**  
340 Minorca Avenue, Suite 7  
Coral Gables, Florida 33134  
Tel: (305) 921-9344  
Fax: (305) 677-3254

CONTRACTOR:

PROJECT ENGINEER:

SEAL / SIGNATURE / DATE

**PERMIT DRAWINGS**

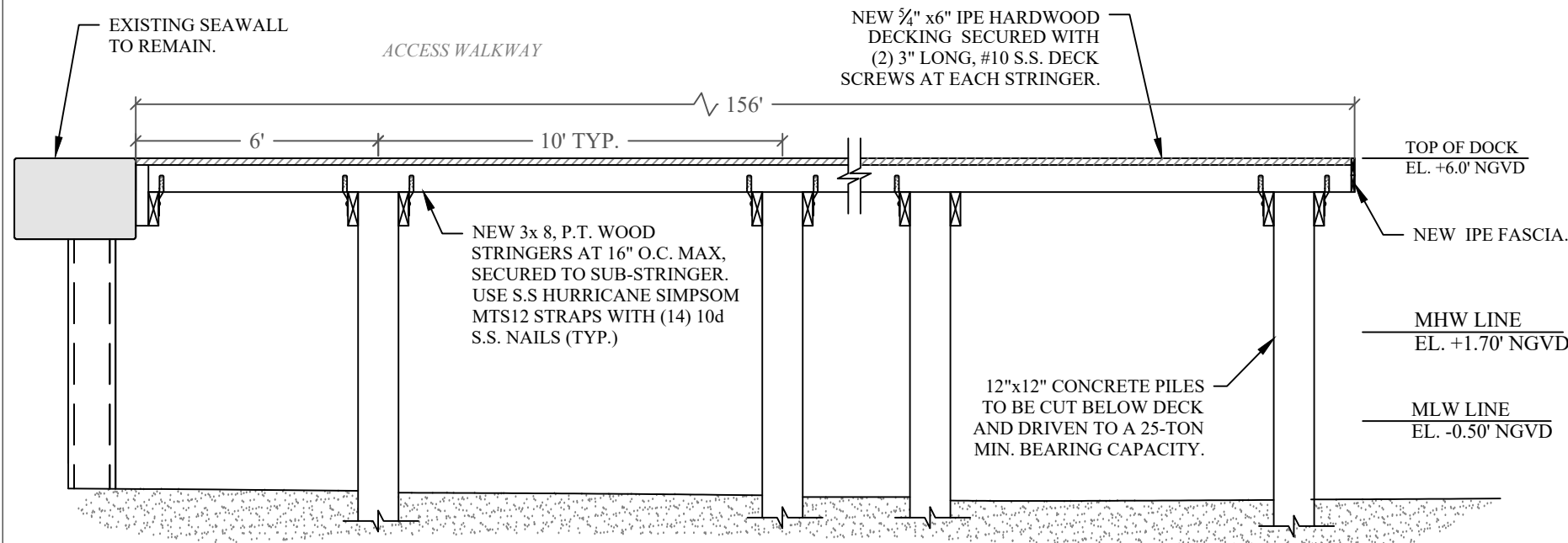
Issue #	Issue Date
①	September 27, 2021

PROJECT: 14-4125 CLI-2020-0463

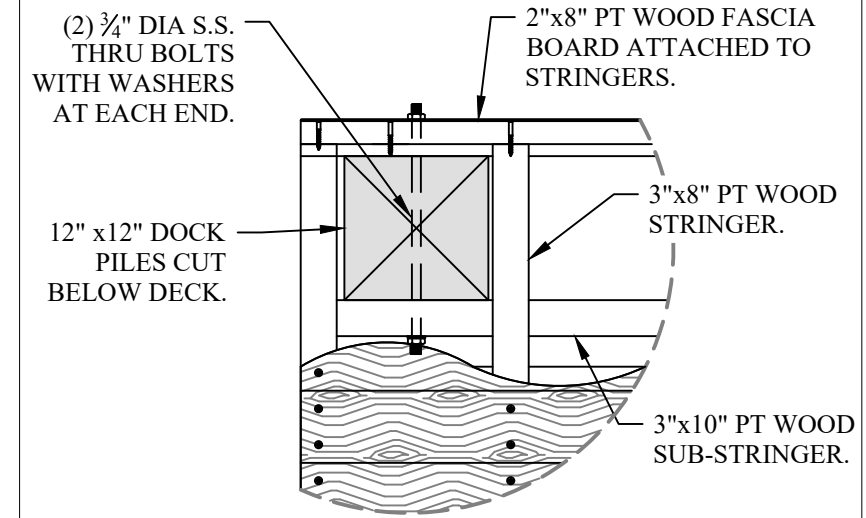
**WOOD DOCK SECTIONS  
& PILE DETAILS**

SCALE : AS SHOWN  
SHEET NO.

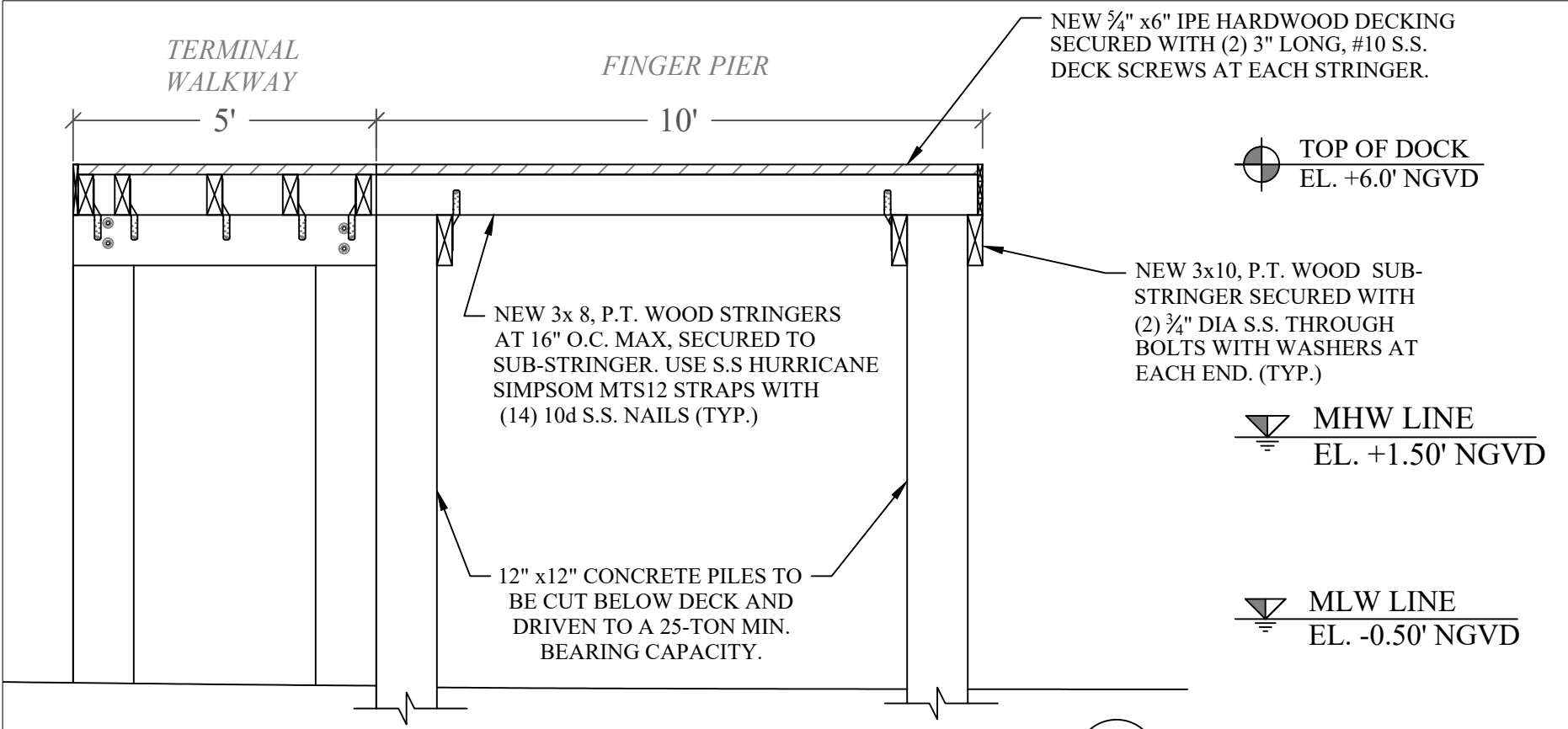
**S-11**



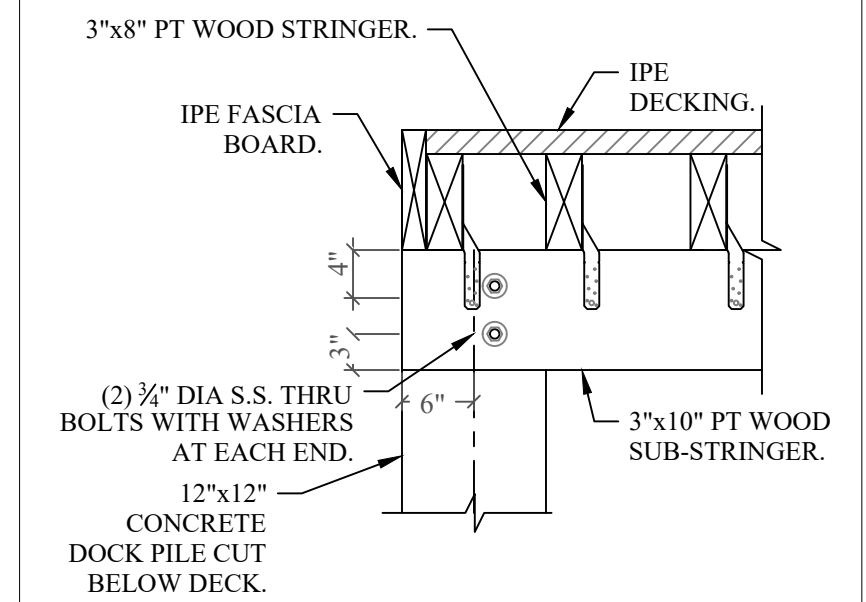
**PIER "D" SECTION DETAILS** H  
SCALE: 1/4" = 1'-0" S-11



**DECK EDGE PLAN DETAIL** 5  
SCALE: 3/4" = 1'-0" S-11



**10-FT FINGER PIER SECTION** I  
SCALE: 3/8" = 1'-0" S-11



**DECK EDGE SECTION DETAIL** 7  
SCALE: 3/4" = 1'-0" S-11

**HURRICANE COVE  
MARINA DOCKING  
FACILITY**

Miami, Florida

CLIENT:  
**MR. TERRYL ZERBY  
HC INVESTORS #1, LLC**  
1884 NW NORTH RIVER DRIVE  
MIAMI, FLORIDA 33125

ENVIRONMENTAL CONSULTANT:  
**OCEAN  
CONSULTING, LLC**  
340 Minorca Avenue, Suite 7  
Coral Gables, Florida 33134  
Tel: (305) 921-9344  
Fax: (305) 677-3254

CONTRACTOR:

PROJECT ENGINEER:

SEAL / SIGNATURE / DATE

**PERMIT DRAWINGS**

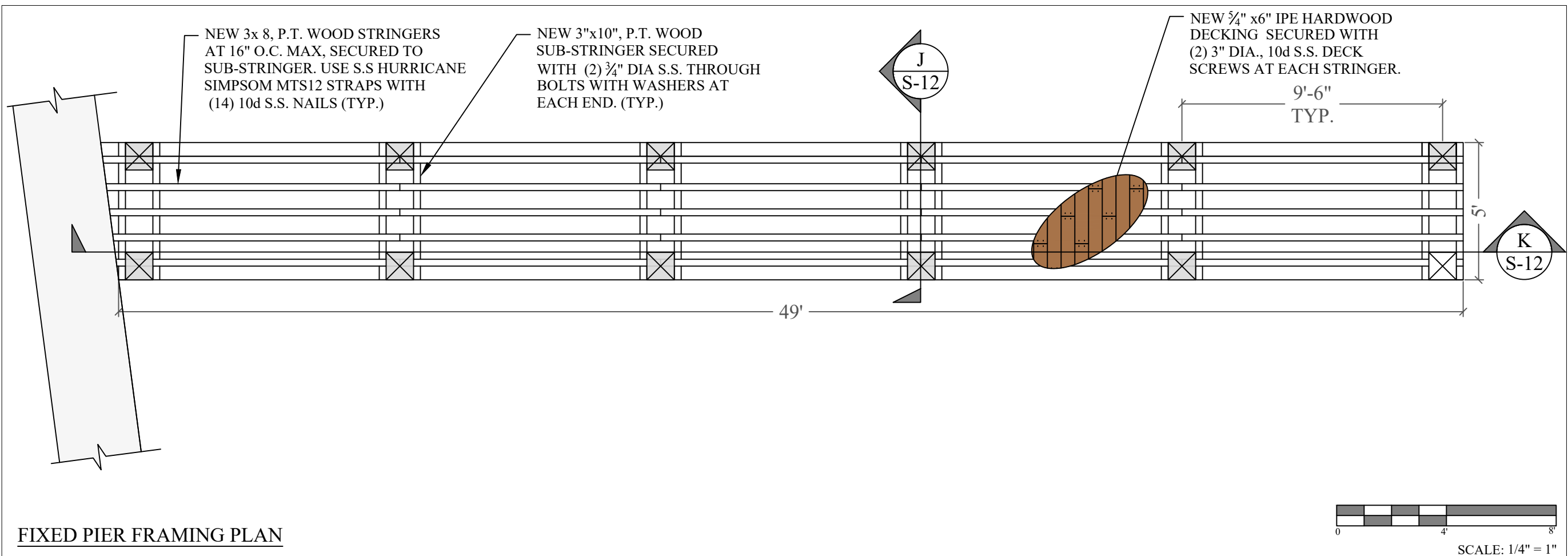
Issue #	Issue Date
①	September 27, 2021

PROJECT: 14-4125 CLI-2020-0463

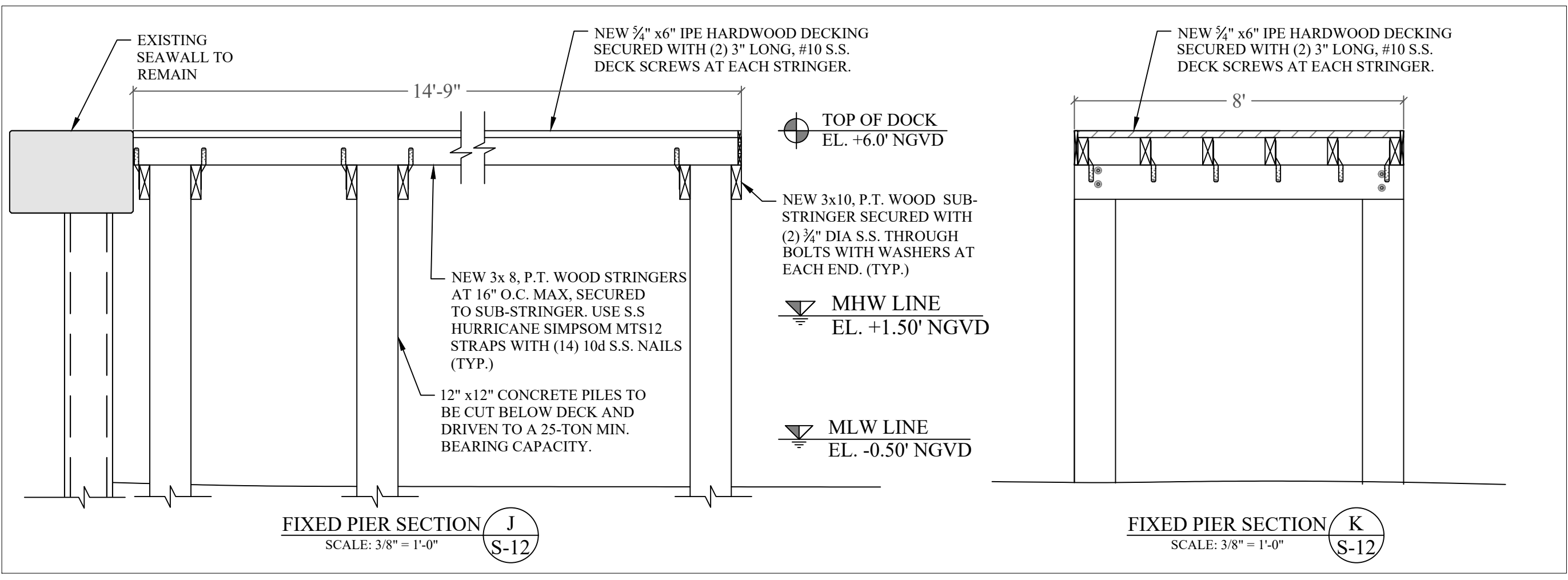
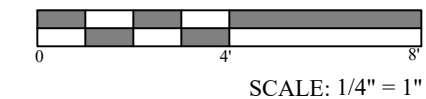
**PROPOSED FIXED PIER  
FRAMING PLAN AND  
SECTIONS**

SCALE: AS SHOWN  
SHEET NO.

**S-12**



**FIXED PIER FRAMING PLAN**



**FIXED PIER SECTION J**  
SCALE: 3/8" = 1'-0"

**FIXED PIER SECTION K**  
SCALE: 3/8" = 1'-0"

**HURRICANE COVE  
MARINA DOCKING  
FACILITY**

Miami, Florida

CLIENT:

**MR. TERRYL ZERBY  
HC INVESTORS #1, LLC**

1884 NW NORTH RIVER DRIVE  
MIAMI, FLORIDA 33125

ENVIRONMENTAL CONSULTANT:

**OCEAN  
CONSULTING, LLC**

340 Minorca Avenue, Suite 7  
Coral Gables, Florida 33134  
Tel: (305) 921-9344  
Fax: (305) 677-3254

CONTRACTOR:

PROJECT ENGINEER:

SEAL / SIGNATURE / DATE

**PERMIT DRAWINGS**

**Issue # Issue Date**

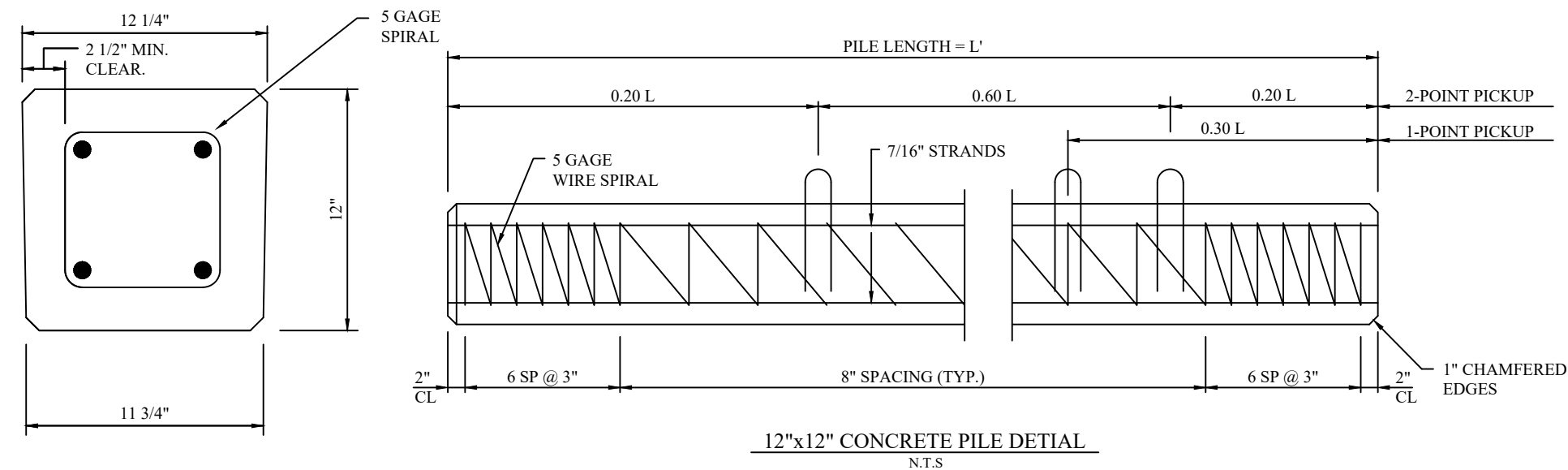
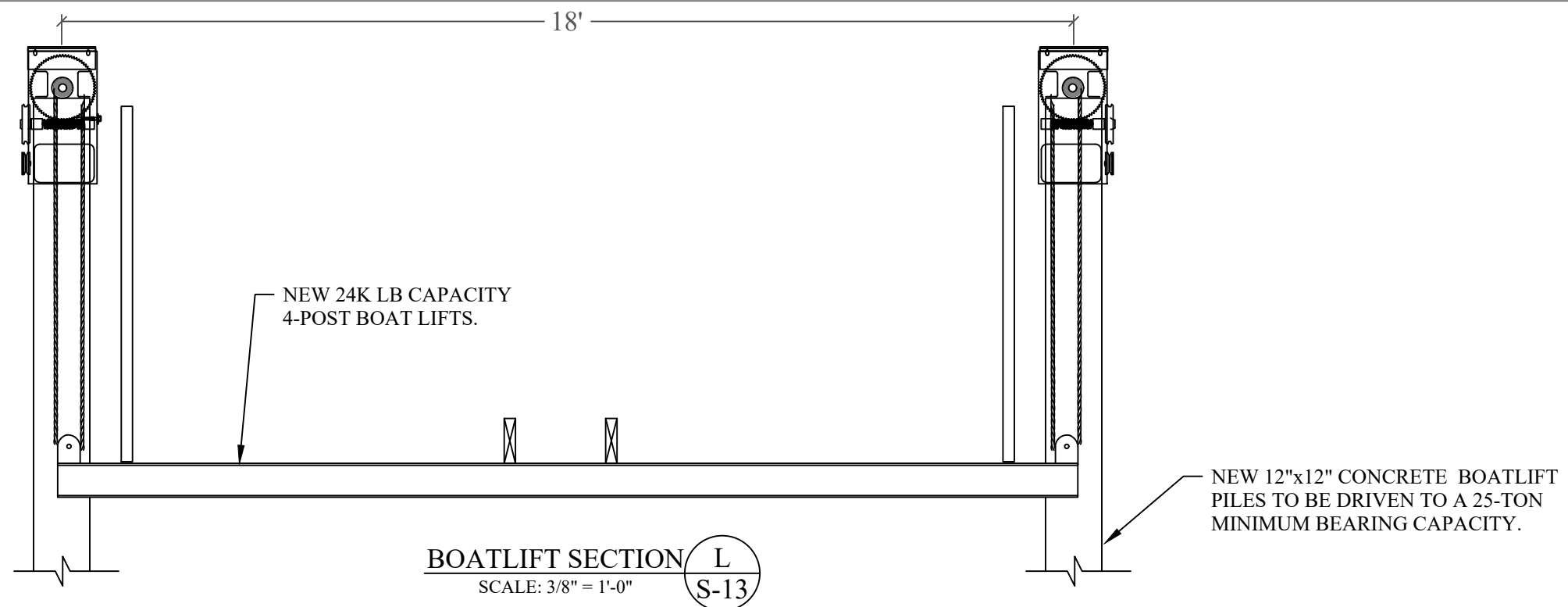
① September 27, 2021

PROJECT: 14-4125 CLI-2020-0463

**BOATLIFT SECTION,  
12x12 & 14x14  
PILE DETAILS**

SCALE : AS SHOWN  
SHEET NO.

**S-13**



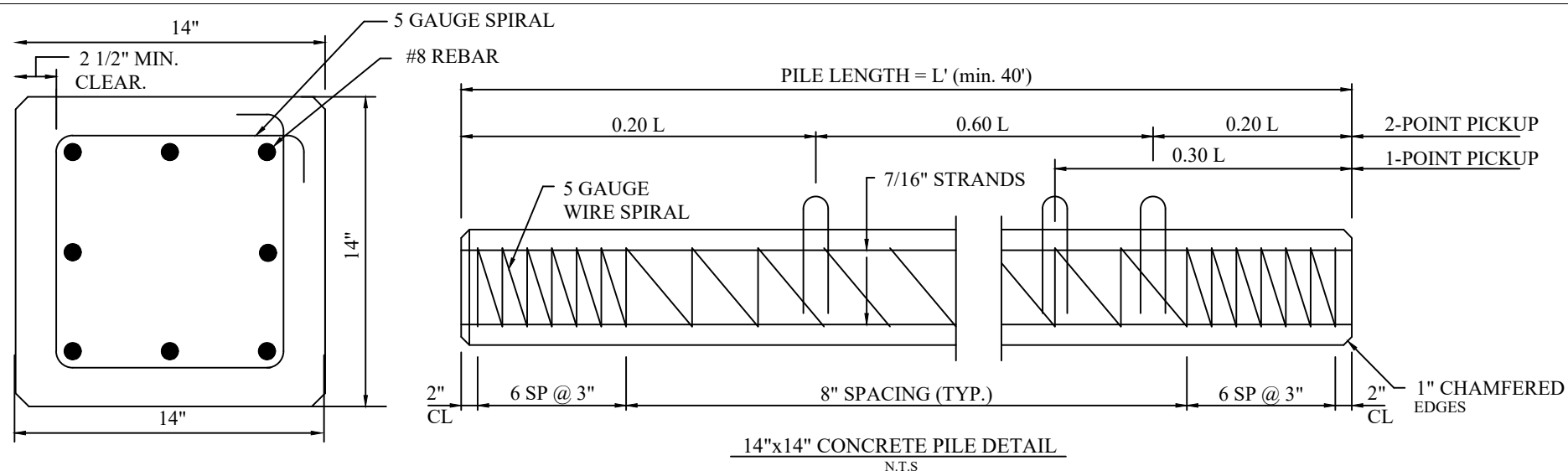
**PILE NOTE:**

CONCRETE COMPRESIVE STRENGTH:  
3000 PSI @ RELEASE  
5000 PSI @ DRIVING

SPIRAL TO BE ASTM A-82 TIGHT  
HARD-DRAWN WIRE

STRANDS - USE FOUR 7/16" (270K)  
LOW RELAXATION ASTM 416-87 UNCOATED  
7-WIRE STRANDS TENSIONED TO 2.33 KIPS  
EACH

1-POINT PICKUP-MAXIMUM L = 50'  
2-POINT PICKUP-MAXIMUM L = 62'



**PILE NOTE:**

CONCRETE COMPRESIVE STRENGTH:  
3000 PSI @ RELEASE  
5000 PSI @ DRIVING

SPIRAL TO BE ASTM A-82 TIGHT  
HARD-DRAWN WIRE

STRANDS - USE EIGHT #8 REBAR  
LOW RELAXATION ASTM 416-87 UNCOATED  
7-WIRE STRANDS TENSIONED TO 2.33 KIPS  
EACH

1-POINT PICKUP-MAXIMUM L = 50'  
2-POINT PICKUP-MAXIMUM L = 62'

**From:** John Michael Cornell <[jmccornell@zerbyinterests.com](mailto:jmccornell@zerbyinterests.com)>  
**Sent:** Wednesday, February 23, 2022 3:36 PM  
**To:** [brettbibeau@miamirivercommission.org](mailto:brettbibeau@miamirivercommission.org)  
**Subject:** FW: [URL Verdict: Neutral]RE: [Non-DoD Source] RE: SAJ-2004-01387 Hurricane Cove

See attached. The most recent e-mails specifically deal with the 20' setback requirement.

--

John Michael Cornell  
Cell: (580) 214-1475  
[jmccornell@zerbyinterests.com](mailto:jmccornell@zerbyinterests.com)



1884 NW North River Dr., Miami, FL 33125  
Office 305.324.8004 | Fax 305.324.8002

7725 W. Reno, Suite 450, Oklahoma City, OK 73127  
Office 405.232.3242 | Fax 405.603.8784

**From:** "[emily@oceanconsultingfl.com](mailto:emily@oceanconsultingfl.com)"  
<[emily@oceanconsultingfl.com](mailto:emily@oceanconsultingfl.com)> **Date:** Wednesday, February 23, 2022 at 3:25 PM **To:** John Michael Cornell  
<[jmccornell@zerbyinterests.com](mailto:jmccornell@zerbyinterests.com)> **Cc:**  
"[kirk@oceanconsultingfl.com](mailto:kirk@oceanconsultingfl.com)" <[kirk@oceanconsultingfl.com](mailto:kirk@oceanconsultingfl.com)>,  
"[brie@oceanconsultingfl.com](mailto:brie@oceanconsultingfl.com)"  
<[brie@oceanconsultingfl.com](mailto:brie@oceanconsultingfl.com)> **Subject:** FWD: RE: [URL Verdict: Neutral]RE: [Non-DoD Source] RE: SAJ-2004-01387 Hurricane Cove

Hi JM -

I hope you are well. Per your discussion with Kirk, please see below for correspondence with the Corps regarding the Miami River setback requirements. They have been unable to provide code language the specifically references the 20 foot setback they are requiring. We had a phone call with the Corps on January 31. During that time I asked them if there was any sort of negotiation allowed and they stated that they would be willing to consider a setback of 10 feet, but again, have not put anything in writing.

Let me know if you need anything else. Thank you!

Regards,

Emily Nelson

**Ocean Consulting**

[www.oceanconsultingfl.com](http://www.oceanconsultingfl.com)

340 Minorca Avenue, Suite 7

Coral Gables, FL 33134

O: (305) 921-9344

C: (786) 496-2193

----- Original Message -----

Subject: RE: [URL Verdict: Neutral]RE: [Non-DoD Source] RE: SAJ-2004-01387 Hurricane Cove

From: "Kirk Lofgren" <[kirk@oceanconsultingfl.com](mailto:kirk@oceanconsultingfl.com)>

Date: 2/1/22 5:24 pm

To: "Clouser, Megan L CIV USARMY CESAJ (USA)"

<[Megan.L.Clouser@usace.army.mil](mailto:Megan.L.Clouser@usace.army.mil)>, "[emily@oceanconsultingfl.com](mailto:emily@oceanconsultingfl.com)"

<[emily@oceanconsultingfl.com](mailto:emily@oceanconsultingfl.com)>

Cc: "Katie Adams" <[katie@oceanconsultingfl.com](mailto:katie@oceanconsultingfl.com)>,

"[brie@oceanconsultingfl.com](mailto:brie@oceanconsultingfl.com)" <[brie@oceanconsultingfl.com](mailto:brie@oceanconsultingfl.com)>

Megan - We need the setback requirements codified, and in writing, consistent across all properties on the Miami River. The below general information and statement is not sufficient, as you might imagine.



We will get back to you as well with our next steps shortly.

Kirk Lofgren  
Ocean Consulting, LLC  
340 Minorca Avenue, Suite 7  
Coral Gables, Florida 33134  
Email: [kirk@oceanconsultingfl.com](mailto:kirk@oceanconsultingfl.com)  
Mobile: (305) 457-5573  
Fax: (305) 677-3254

----- Original Message ----- Subject: RE: [URL Verdict: Neutral]RE: [Non-DoD Source] RE: SAJ-2004-01387 Hurricane Cove From: "Clouser, Megan L CIV USARMY CESAJ (USA)" <[Megan.L.Clouser@usace.army.mil](mailto:Megan.L.Clouser@usace.army.mil)> Date: Tue, February 01, 2022 5:17 pm To: "[emily@oceanconsultingfl.com](mailto:emily@oceanconsultingfl.com)" <[emily@oceanconsultingfl.com](mailto:emily@oceanconsultingfl.com)> Cc: "[kirk@oceanconsultingfl.com](mailto:kirk@oceanconsultingfl.com)" <[kirk@oceanconsultingfl.com](mailto:kirk@oceanconsultingfl.com)>, Katie Adams <[katie@oceanconsultingfl.com](mailto:katie@oceanconsultingfl.com)>, "[brie@oceanconsultingfl.com](mailto:brie@oceanconsultingfl.com)" <[brie@oceanconsultingfl.com](mailto:brie@oceanconsultingfl.com)>

Good afternoon,

Due to the unique nature of the Miami River, there is no formal written setback guidance and therefore, each permit application is reviewed on a case-by-case basis. However, attached is the written documentation that is the basis for all setback determinations and that is Section 10 of the Rivers and Harbors Act.

Regards,  
Megan

**From:** [emily@oceanconsultingfl.com](mailto:emily@oceanconsultingfl.com) <[emily@oceanconsultingfl.com](mailto:emily@oceanconsultingfl.com)> **Sent:** Monday, January 31, 2022 4:13 PM **To:** Clouser, Megan L CIV USARMY CESAJ (USA) <[Megan.L.Clouser@usace.army.mil](mailto:Megan.L.Clouser@usace.army.mil)> **Cc:** [kirk@oceanconsultingfl.com](mailto:kirk@oceanconsultingfl.com); Katie Adams <[katie@oceanconsultingfl.com](mailto:katie@oceanconsultingfl.com)>; [brie@oceanconsultingfl.com](mailto:brie@oceanconsultingfl.com) **Subject:** [URL Verdict:

Neutral]RE: [Non-DoD Source] RE: SAJ-2004-01387  
Hurricane Cove

Hi Megan -

Thanks for taking the time to discuss this Project with us today. Can you point me to the code language where it states a 20-foot setback requirement on the Miami River? I have been reviewing the documents you provided below and cannot find any mention specific to the Miami River.

Thank you!

Regards,

Emily Nelson

**Ocean Consulting**

[www.oceanconsultingfl.com](http://www.oceanconsultingfl.com)

340 Minorca Avenue, Suite 7

Coral Gables, FL 33134

O: (305) 921-9344

C: (786) 496-2193

----- Original Message -----

Subject: RE: [Non-DoD Source] RE: SAJ-2004-01387

Hurricane Cove From: "Clouser, Megan L CIV

USARMY CESAJ (USA)"

<[Megan.L.Clouser@usace.army.mil](mailto:Megan.L.Clouser@usace.army.mil)> Date: 11/29/21

4:44 pm To: "Emily Nelson"

<[emily@oceanconsultingfl.com](mailto:emily@oceanconsultingfl.com)> Cc:

"[kirk@oceanconsultingfl.com](mailto:kirk@oceanconsultingfl.com)"

<[kirk@oceanconsultingfl.com](mailto:kirk@oceanconsultingfl.com)>, "Katie Adams"

<[katie@oceanconsultingfl.com](mailto:katie@oceanconsultingfl.com)>,  
"brie@oceanconsultingfl.com"  
<[brie@oceanconsultingfl.com](mailto:brie@oceanconsultingfl.com)>

Good afternoon,

Attached please links to our setback guidance posted on our website

<http://cdm16021.contentdm.oclc.org/utils/getfile/collection/p16021coll11/id/1971>

[https://www.saj.usace.army.mil/Portals/44/docs/regulatory/Items%20of%20Interest/FAQs%20Fact%20Sheet%20Regulatory%20Aug%202013\\_508.pdf](https://www.saj.usace.army.mil/Portals/44/docs/regulatory/Items%20of%20Interest/FAQs%20Fact%20Sheet%20Regulatory%20Aug%202013_508.pdf)

The main page is:

<https://www.saj.usace.army.mil/Missions/Regulatory/Source-Book/>

I will reach out to Navigation and check their availability.

Regards,

Megan Clouser  
Senior Project Manager  
US Army Corps of Engineers  
9900 SW 107th Avenue, Suite 203  
Miami, FL 33176  
(305) 526-7182

**From:** Emily Nelson <[emily@oceanconsultingfl.com](mailto:emily@oceanconsultingfl.com)>  
**Sent:** Monday, November 29, 2021 2:01 PM **To:**  
Clouser, Megan L CIV USARMY CESAJ (USA)  
<[Megan.L.Clouser@usace.army.mil](mailto:Megan.L.Clouser@usace.army.mil)> **Cc:**  
[kirk@oceanconsultingfl.com](mailto:kirk@oceanconsultingfl.com); Katie Adams  
<[katie@oceanconsultingfl.com](mailto:katie@oceanconsultingfl.com)>;  
[brie@oceanconsultingfl.com](mailto:brie@oceanconsultingfl.com) **Subject:** Re: [Non-DoD  
Source] RE: SAJ-2004-01387 Hurricane Cove

Hi Megan

A few things we want to clarify:

- 1 All along the Miami River there are seawalls built directly on the channel boundary line. There is no setback for these walls.
- 2 We are replacing the docking facility entirely in the same footprint. There is no new extension into the federal channel.
- 3 No slips are located in the federal channel. All slips are located landward of the channel line.

Given this information, we are a bit confused by the request for 20-foot setbacks. Is there someone in navigation we can speak with directly regarding this?

Let me know, thank you!

Regards,

Emily Nelson

**Ocean Consulting**

[www.oceanconsultingfl.com](http://www.oceanconsultingfl.com)

340 Minorca Avenue, Suite 7

Coral Gables, FL 33134

O: (305) 921-9344

C: (786) 496-2193

On 11/29/2021 12:12 PM, Clouser, Megan L CIV  
USARMY CESAJ (USA) wrote:

Good afternoon,

The Navigation Section of the Corps has recommended that the proposed project be redesigned as the proposal places the docking structures within the entirety of the setback of the Miami

River and extends to the edge of the federal channel. Please note that the federal navigation channel is intended for the passage of vessels through the channel to or from their points of destination (berth, slip, or mooring area). It is never intended to be an area for mooring of vessels.

The practicable alternative to the proposal that would allow the project to be authorized would be to reconfigure the proposal such that all proposed structures are landward of the 20 foot setback. If the practicable alternatives are not incorporated into the proposed work then Navigation Section will object to issuance of this permit.

As the Corps considers the application incomplete, we will not take action on it until we receive the required information and drawings. We request you provide this information within 30 days. If the Corps does not receive a response, we will assume you have no further interest in obtaining a Department of the Army permit and the Corps will withdraw your permit application. Such action will constitute final action by the Department of the Army.

You are cautioned that work performed below the mean high waterline or ordinary high waterline in waters of the United States, or the discharge of dredged or fill material into adjacent wetlands, without a Department of the Army permit could subject you to enforcement action. Receipt of a State permit does not obviate the requirement for obtaining a Department of the Army permit for the work described above prior to commencing work.

Regards,

Megan Clouser  
Senior Project Manager  
US Army Corps of Engineers  
9900 SW 107th Avenue, Suite 203  
Miami, FL 33176  
(305) 526-7182

**From:** Clouser, Megan L CIV USARMY CESAJ (USA)  
**Sent:** Tuesday, November 23, 2021 2:52 PM **To:**  
[emily@oceanconsultingfl.com](mailto:emily@oceanconsultingfl.com) **Cc:**  
[kirk@oceanconsultingfl.com](mailto:kirk@oceanconsultingfl.com); Katie Adams  
<[katie@oceanconsultingfl.com](mailto:katie@oceanconsultingfl.com)>;  
[brie@oceanconsultingfl.com](mailto:brie@oceanconsultingfl.com) **Subject:** RE: [Non-DoD  
Source] RE: SAJ-2004-01387 Hurricane Cove

Good afternoon,

The public notice was published on September 30,  
2021 and the x,y coordinates were sent to navigation  
on the same day.

Regards,

Megan

**From:** [emily@oceanconsultingfl.com](mailto:emily@oceanconsultingfl.com)  
<[emily@oceanconsultingfl.com](mailto:emily@oceanconsultingfl.com)> **Sent:** Tuesday,  
November 23, 2021 1:46 PM **To:** Clouser, Megan L  
CIV USARMY CESAJ (USA)  
<[Megan.L.Clouser@usace.army.mil](mailto:Megan.L.Clouser@usace.army.mil)> **Cc:**  
[kirk@oceanconsultingfl.com](mailto:kirk@oceanconsultingfl.com); Katie Adams  
<[katie@oceanconsultingfl.com](mailto:katie@oceanconsultingfl.com)>;

[brie@oceanconsultingfl.com](mailto:brie@oceanconsultingfl.com) Subject: RE: [Non-DoD Source] RE: SAJ-2004-01387 Hurricane Cove

Hi Megan,

Please confirm receipt of the XY coordinates. Do you have any updates on the public notice or navigation section approval?

Please advise. Thank you!

Regards,

Emily Nelson

**Ocean Consulting**

[www.oceanconsultingfl.com](http://www.oceanconsultingfl.com)

340 Minorca Avenue, Suite 7

Coral Gables, FL 33134

O: (305) 921-9344

C: (786) 496-2193

----- Original Message -----

Subject: RE: [Non-DoD Source] RE: SAJ-2004-01387

Hurricane Cove From:

"[emily@oceanconsultingfl.com](mailto:emily@oceanconsultingfl.com)"

<[emily@oceanconsultingfl.com](mailto:emily@oceanconsultingfl.com)> Date: 10/25/21

2:58 pm To: "Clouser, Megan L CIV USARMY CESAJ

(USA)" <[Megan.L.Clouser@usace.army.mil](mailto:Megan.L.Clouser@usace.army.mil)> Cc:

"[kirk@oceanconsultingfl.com](mailto:kirk@oceanconsultingfl.com)"

<[kirk@oceanconsultingfl.com](mailto:kirk@oceanconsultingfl.com)>, "Katie Adams"

<[katie@oceanconsultingfl.com](mailto:katie@oceanconsultingfl.com)> ,

"[brie@oceanconsultingfl.com](mailto:brie@oceanconsultingfl.com)"

<[brie@oceanconsultingfl.com](mailto:brie@oceanconsultingfl.com)>

Hi Megan,

Please see attached XY survey. Please confirm receipt and advise if you need anything else to continue processing.

Thanks!

Regards,  
Emily Nelson  
Project Manager  
**Ocean Consulting**  
[www.oceanconsultingfl.com](http://www.oceanconsultingfl.com)  
340 Minorca Avenue, Suite 7  
Coral Gables, FL 33134  
O: (305) 921-9344  
C: (786) 496-2193

**From:** Clouser, Megan L CIV USARMY CESAJ (USA)  
<[Megan.L.Clouser@usace.army.mil](mailto:Megan.L.Clouser@usace.army.mil)> **Sent:**  
Wednesday, October 6, 2021 4:20 PM **To:**  
[emily@oceanconsultingfl.com](mailto:emily@oceanconsultingfl.com) **Cc:**  
[kirk@oceanconsultingfl.com](mailto:kirk@oceanconsultingfl.com); 'Katie Adams'  
<[katie@oceanconsultingfl.com](mailto:katie@oceanconsultingfl.com)>;  
[brie@oceanconsultingfl.com](mailto:brie@oceanconsultingfl.com) **Subject:** RE: [Non-DoD  
Source] RE: SAJ-2004-01387 Hurricane Cove

Good afternoon,

The project went out on public notice on September 30 (attached).

The Navigation Section of the Corps has requested that you provide the xy-coordinates for the most



waterward points of all of the proposed structures so they can review it for 408 compliance.

As the Corps considers the application incomplete, we will not take action on it until we receive the required information and drawings. We request you provide this information within 30 days. If the Corps does not receive a response, we will assume you have no further interest in obtaining a Department of the Army permit and the Corps will withdraw your permit application. Such action will constitute final action by the Department of the Army.

You are cautioned that work performed below the mean high waterline or ordinary high waterline in waters of the United States, or the discharge of dredged or fill material into adjacent wetlands, without a Department of the Army permit could subject you to enforcement action. Receipt of a State permit does not obviate the requirement for obtaining a Department of the Army permit for the work described above prior to commencing work.

Thank you,

Megan

**From:** [emily@oceanconsultingfl.com](mailto:emily@oceanconsultingfl.com)  
<[emily@oceanconsultingfl.com](mailto:emily@oceanconsultingfl.com)> **Sent:** Tuesday,  
September 28, 2021 8:08 AM **To:** Clouser, Megan L  
CIV USARMY CESAJ (USA)  
<[Megan.L.Clouser@usace.army.mil](mailto:Megan.L.Clouser@usace.army.mil)> **Cc:**

[kirk@oceanconsultingfl.com](mailto:kirk@oceanconsultingfl.com); 'Katie Adams'  
<[katie@oceanconsultingfl.com](mailto:katie@oceanconsultingfl.com)>;  
[brie@oceanconsultingfl.com](mailto:brie@oceanconsultingfl.com) **Subject:** RE: [Non-DoD  
Source] RE: SAJ-2004-01387 Hurricane Cove

Hi Megan,

Please see attached the revised application and the revised plans. The square footage has been updated to 3,944 square feet and is reflected on both S-3 and S-3.1.

Please confirm receipt and advise if anything else is needed. Thank you!

Regards,  
Emily Nelson  
Project Manager  
**Ocean Consulting**  
[www.oceanconsultingfl.com](http://www.oceanconsultingfl.com)  
340 Minorca Avenue, Suite 7  
Coral Gables, FL 33134  
O: (305) 921-9344  
C: (786) 496-2193

**From:** Clouser, Megan L CIV USARMY CESAJ (USA)  
<[Megan.L.Clouser@usace.army.mil](mailto:Megan.L.Clouser@usace.army.mil)> **Sent:** Friday,  
September 24, 2021 4:39 PM **To:**  
[emily@oceanconsultingfl.com](mailto:emily@oceanconsultingfl.com) **Cc:**  
[kirk@oceanconsultingfl.com](mailto:kirk@oceanconsultingfl.com); 'Katie Adams'  
<[katie@oceanconsultingfl.com](mailto:katie@oceanconsultingfl.com)>;  
[brie@oceanconsultingfl.com](mailto:brie@oceanconsultingfl.com) **Subject:** RE: [Non-DoD  
Source] RE: SAJ-2004-01387 Hurricane Cove

Good afternoon,

I was drafting the public notice for this and the following items are needed:

- 1 Please provide a revised application with the dredging component included.
- 2 There is a discrepancy on the plans. S-3 states 3,936 sq ft for the proposed floating dock. Page S-3.1 has 3,888 sq ft. Please clarify which sq footage is correct and modify the plans accordingly.

As the Corps considers the application incomplete, we will not take action on it until we receive the required information and drawings. We request you provide this information within 30 days. If the Corps does not receive a response, we will assume you have no further interest in obtaining a Department of the Army permit and the Corps will withdraw your permit application. Such action will constitute final action by the Department of the Army.

You are cautioned that work performed below the mean high waterline or ordinary high waterline in waters of the United States, or the discharge of dredged or fill material into adjacent wetlands, without a Department of the Army permit could subject you to enforcement action. Receipt of a State permit does not obviate the requirement for obtaining a Department of the Army permit for the work described above prior to commencing work.

Regards,

Megan Clouser  
Senior Project Manager  
US Army Corps of Engineers  
9900 SW 107th Avenue, Suite 203  
Miami, FL 33176  
(305) 526-7182

**From:** [emily@oceanconsultingfl.com](mailto:emily@oceanconsultingfl.com)  
<[emily@oceanconsultingfl.com](mailto:emily@oceanconsultingfl.com)> **Sent:** Tuesday,  
August 3, 2021 3:40 PM **To:** Clouser, Megan L CIV  
USARMY CESAJ (USA)  
<[Megan.L.Clouser@usace.army.mil](mailto:Megan.L.Clouser@usace.army.mil)>; Gilbert, Ingrid  
N CIV USARMY CESAJ (USA)  
<[Ingrid.N.Gilbert@usace.army.mil](mailto:Ingrid.N.Gilbert@usace.army.mil)> **Cc:**  
[kirk@oceanconsultingfl.com](mailto:kirk@oceanconsultingfl.com); 'Katie Adams'  
<[katie@oceanconsultingfl.com](mailto:katie@oceanconsultingfl.com)>;  
[brie@oceanconsultingfl.com](mailto:brie@oceanconsultingfl.com) **Subject:** RE: [Non-DoD  
Source] RE: SAJ-2004-01387 Hurricane Cove

Thanks. Let me know if you need anything else.

Regards,  
Emily Nelson  
Project Manager  
**Ocean Consulting**  
[www.oceanconsultingfl.com](http://www.oceanconsultingfl.com)  
340 Minorca Avenue, Suite 7  
Coral Gables, FL 33134  
O: (305) 921-9344  
C: (786) 496-2193

**From:** Clouser, Megan L CIV USARMY CESAJ (USA)  
<[Megan.L.Clouser@usace.army.mil](mailto:Megan.L.Clouser@usace.army.mil)> **Sent:** Tuesday,  
August 3, 2021 3:20 PM **To:**  
[emily@oceanconsultingfl.com](mailto:emily@oceanconsultingfl.com); Gilbert, Ingrid N CIV  
USARMY CESAJ (USA)  
<[Ingrid.N.Gilbert@usace.army.mil](mailto:Ingrid.N.Gilbert@usace.army.mil)> **Cc:**  
[kirk@oceanconsultingfl.com](mailto:kirk@oceanconsultingfl.com); 'Katie Adams'  
<[katie@oceanconsultingfl.com](mailto:katie@oceanconsultingfl.com)>;  
[brie@oceanconsultingfl.com](mailto:brie@oceanconsultingfl.com) **Subject:** RE: [Non-DoD  
Source] RE: SAJ-2004-01387 Hurricane Cove

Yes. Just confirming for the 408/Navigation review.

Thanks,  
Megan

**From:** [emily@oceanconsultingfl.com](mailto:emily@oceanconsultingfl.com)  
<[emily@oceanconsultingfl.com](mailto:emily@oceanconsultingfl.com)> **Sent:** Tuesday,  
August 3, 2021 3:17 PM **To:** Clouser, Megan L CIV  
USARMY CESAJ (USA)  
<[Megan.L.Clouser@usace.army.mil](mailto:Megan.L.Clouser@usace.army.mil)>; Gilbert, Ingrid  
N CIV USARMY CESAJ (USA)  
<[Ingrid.N.Gilbert@usace.army.mil](mailto:Ingrid.N.Gilbert@usace.army.mil)> **Cc:**  
[kirk@oceanconsultingfl.com](mailto:kirk@oceanconsultingfl.com); 'Katie Adams'  
<[katie@oceanconsultingfl.com](mailto:katie@oceanconsultingfl.com)>;  
[brie@oceanconsultingfl.com](mailto:brie@oceanconsultingfl.com) **Subject:** RE: [Non-DoD  
Source] RE: SAJ-2004-01387 Hurricane Cove

No riprap proposed. This project is in the Miami River and riprap is never proposed in that location. There is also no seawall work proposed as part of this project.

Regards,  
Emily Nelson  
Project Manager  
**Ocean Consulting**  
[www.oceanconsultingfl.com](http://www.oceanconsultingfl.com)  
340 Minorca Avenue, Suite 7  
Coral Gables, FL 33134  
O: (305) 921-9344  
C: (786) 496-2193

**From:** Clouser, Megan L CIV USARMY CESAJ (USA)  
<[Megan.L.Clouser@usace.army.mil](mailto:Megan.L.Clouser@usace.army.mil)> **Sent:** Tuesday,  
August 3, 2021 3:15 PM **To:**  
[emily@oceanconsultingfl.com](mailto:emily@oceanconsultingfl.com); Gilbert, Ingrid N CIV  
USARMY CESAJ (USA)  
<[Ingrid.N.Gilbert@usace.army.mil](mailto:Ingrid.N.Gilbert@usace.army.mil)> **Cc:**  
[kirk@oceanconsultingfl.com](mailto:kirk@oceanconsultingfl.com); 'Katie Adams'  
<[katie@oceanconsultingfl.com](mailto:katie@oceanconsultingfl.com)>;  
[brie@oceanconsultingfl.com](mailto:brie@oceanconsultingfl.com) **Subject:** RE: [Non-DoD  
Source] RE: SAJ-2004-01387 Hurricane Cove

Good afternoon,

After the proposed project area is dredged, is riprap  
proposed for the base of the seawall?

Regards,  
Megan

**From:** [emily@oceanconsultingfl.com](mailto:emily@oceanconsultingfl.com)  
<[emily@oceanconsultingfl.com](mailto:emily@oceanconsultingfl.com)> **Sent:** Tuesday,  
August 3, 2021 8:39 AM **To:** Clouser, Megan L CIV  
USARMY CESAJ (USA)  
<[Megan.L.Clouser@usace.army.mil](mailto:Megan.L.Clouser@usace.army.mil)>; Gilbert, Ingrid

N CIV USARMY CESAJ (USA)  
<[Ingrid.N.Gilbert@usace.army.mil](mailto:Ingrid.N.Gilbert@usace.army.mil)> Cc:  
[kirk@oceanconsultingfl.com](mailto:kirk@oceanconsultingfl.com); 'Katie Adams'  
<[katie@oceanconsultingfl.com](mailto:katie@oceanconsultingfl.com)>;  
[brie@oceanconsultingfl.com](mailto:brie@oceanconsultingfl.com) Subject: RE: [Non-DoD  
Source] RE: SAJ-2004-01387 Hurricane  
Cove Importance: High

Hi Megan,

Please see attached the most recent set of drawings as well as a revised Section 7 checklist to match the drawings. Maintenance dredging has been added to the scope after conversations we have had with DERM since the Section 7 was originally submitted to you.

**Please confirm receipt of this information and advise if you need anything else right away.** Please help us to expedite this review. We were under the impression this file has been in NMFS Consultation since February when we initially submitted the RAI response to you.

The Florida DEP is actively reviewing this file and should be issuing the permit soon. We are waiting on some final revisions to the submerged lands lease survey.

Lastly, a reminder that this Project is in the Miami River and we are reducing overwater footprint. The wet slip count is decreasing. I do not believe that NMFS and USFWS review should be required. Please advise.

Thank you!

Regards,  
Emily Nelson  
Project Manager  
**Ocean Consulting**

[www.oceanconsultingfl.com](http://www.oceanconsultingfl.com)

340 Minorca Avenue, Suite 7  
Coral Gables, FL 33134  
O: (305) 921-9344  
C: (786) 496-2193

**From:** Clouser, Megan L CIV USARMY CESAJ (USA)  
<[Megan.L.Clouser@usace.army.mil](mailto:Megan.L.Clouser@usace.army.mil)> **Sent:** Friday,  
July 30, 2021 5:33 PM **To:**  
[emily@oceanconsultingfl.com](mailto:emily@oceanconsultingfl.com); Gilbert, Ingrid N CIV  
USARMY CESAJ (USA)  
<[Ingrid.N.Gilbert@usace.army.mil](mailto:Ingrid.N.Gilbert@usace.army.mil)> **Cc:**  
[kirk@oceanconsultingfl.com](mailto:kirk@oceanconsultingfl.com); 'Katie Adams'  
<[katie@oceanconsultingfl.com](mailto:katie@oceanconsultingfl.com)>;  
[brie@oceanconsultingfl.com](mailto:brie@oceanconsultingfl.com) **Subject:** RE: [Non-DoD  
Source] RE: SAJ-2004-01387 Hurricane Cove

Good morning Emily,  
The plans were never attached to your last  
submittal. I still need the site plans that have cross  
sections and the pilings. Can you please provide  
those so I can reactivate the file? Once I have that, I  
can coordinate with our Navigation and 408 Sections.  
Also, can you please provide the State  
permit/exemption when you get it?

Regards,



Megan

**From:** [emily@oceanconsultingfl.com](mailto:emily@oceanconsultingfl.com)  
<[emily@oceanconsultingfl.com](mailto:emily@oceanconsultingfl.com)> **Sent:** Wednesday,  
July 28, 2021 4:21 PM **To:** Clouser, Megan L CIV  
USARMY CESAJ (USA)  
<[Megan.L.Clouser@usace.army.mil](mailto:Megan.L.Clouser@usace.army.mil)>; Gilbert, Ingrid  
N CIV USARMY CESAJ (USA)  
<[Ingrid.N.Gilbert@usace.army.mil](mailto:Ingrid.N.Gilbert@usace.army.mil)> **Cc:**  
[kirk@oceanconsultingfl.com](mailto:kirk@oceanconsultingfl.com); 'Katie Adams'  
<[katie@oceanconsultingfl.com](mailto:katie@oceanconsultingfl.com)>;  
[brie@oceanconsultingfl.com](mailto:brie@oceanconsultingfl.com) **Subject:** RE: [Non-DoD  
Source] RE: SAJ-2004-01387 Hurricane  
Cove **Importance:** High

Megan,

I hope you are well. I am checking in on this Project. Please confirm receipt and the below information and let me know the status of the file at NMFS.

Thank you!

Regards,  
Emily Nelson  
Project Manager  
**Ocean Consulting**  
[www.oceanconsultingfl.com](http://www.oceanconsultingfl.com)  
340 Minorca Avenue, Suite 7  
Coral Gables, FL 33134  
O: (305) 921-9344  
C: (786) 496-2193

**From:** [emily@oceanconsultingfl.com](mailto:emily@oceanconsultingfl.com)  
<[emily@oceanconsultingfl.com](mailto:emily@oceanconsultingfl.com)> **Sent:** Tuesday,  
February 9, 2021 8:36 AM **To:** 'Clouser, Megan L CIV  
USARMY CESAJ (USA)'  
<[Megan.L.Clouser@usace.army.mil](mailto:Megan.L.Clouser@usace.army.mil)> **Cc:**  
[kirk@oceanconsultingfl.com](mailto:kirk@oceanconsultingfl.com); 'Katie Adams'  
<[katie@oceanconsultingfl.com](mailto:katie@oceanconsultingfl.com)>;  
[brie@oceanconsultingfl.com](mailto:brie@oceanconsultingfl.com) **Subject:** RE: [Non-DoD  
Source] RE: SAJ-2004-01387 Hurricane Cove

Hi Megan,

Please see below for our responses.

Please note, this Project is in the Miami River and we are reducing overwater footprint. The wet slip count is decreasing. NMFS and USFWS consultation should not be required.

Thank you for your review. Please confirm receipt and advise if you need anything else.

Regards,  
Emily Nelson  
Project Manager  
**Ocean Consulting**  
[www.oceanconsultingfl.com](http://www.oceanconsultingfl.com)  
340 Minorca Avenue, Suite 7  
Coral Gables, FL 33134  
O: (305) 921-9344  
C: (786) 496-2193

----- Original Message ----- Subject: SAJ-2004-01387  
Hurricane Cove From: "Clouser, Megan L CIV USARMY CESAJ

(USA)" <[Megan.L.Clouser@usace.army.mil](mailto:Megan.L.Clouser@usace.army.mil)> Date: Wed, December 30, 2020 1:44 pm To: "[kirk@oceanconsultingfl.com](mailto:kirk@oceanconsultingfl.com)" <[kirk@oceanconsultingfl.com](mailto:kirk@oceanconsultingfl.com)> Cc: "Gilbert, Ingrid N CIV USARMY CESAJ (US)" <[Ingrid.N.Gilbert@usace.army.mil](mailto:Ingrid.N.Gilbert@usace.army.mil)>  
Good afternoon,

The Corps is in receipt of your application. Please provide the following information so that we may continue processing your application.

- 1 Section 23 on the application is not completed. Please fill out the avoidance, minimization and mitigation section. – **Please see attached a revised application which includes a response to Section 23.**
- 2 The plans provided do not have a cross section. Please provide revised plans that reflect all structures. – **Please see attached revised plans which include cross-sections.**
- 3 Please provide the number of pilings proposed and their installation methodology. NMFS will require this information for consultation. – **There is a total of 412 concrete piles and 33 wood piles. All piles will be installed using an impact hammer.**
- 4 Attached please find a copy of the Section 7 checklist. I will need filled out to initiate consultation with NMFS. – **Please see attached the Section 7 Checklist.**
- 5 Please provide a copy of the approved Marina Operating Permit so we can make our effect determination for the manatee. – **Please see attached the MOP.**

As the Corps considers the application incomplete, we will not take action on it until we receive the required information and drawings. We request you provide this information within 30 days. If the Corps does not receive a response, we will assume you have no further interest in obtaining a Department of the Army permit and the Corps will withdraw your permit application. Such action will constitute final

action by the Department of the Army.

*The Corps cautions you that work performed in any waters of the United States, including wetlands, without a Department of the Army permit could subject you to enforcement action. Receipt of a permit from the Florida Department of Environmental Protection or any Water Management District does not obviate the requirement for obtaining a Department of the Army permit for the work described above prior to commencing work.*

Regards,

Megan Clouser  
Senior Project Manager  
US Army Corps of Engineers  
9900 SW 107th Avenue, Suite 203  
Miami, FL 33176  
(305) 526-7182

**Miami River Commission's  
Urban Infill and Greenways Subcommittee  
February 14, 2022**

Miami River Commission's (MRC) Urban Infill and Greenways Subcommittee Chairman Jim Murley convened a public virtual workshop (no actions nor votes taken) on February 14, 2022, at noon.

**I) Presentation Regarding Proposed Development at 99 SW 7 ST**

Ms. Iris Escarra and Brian Dombrowski, Greenberg Traurig, and Harvey Hernandez, Newgard Group, presented the provided plans and letter of intent for a proposed riverfront development at 99 SW 7 ST. The proposal is consistent with the current zoning, land use, and the public Riverwalk will comply with the code requirements of Section 3.11, Appendix B, and the Baywalk Riverwalk Design Standards and Guidelines, including the FPL easement area. The presenters stated they will submit updated plans, letter of intent and Restrictive Voluntary Covenant for the public Riverwalk and "Working River Disclosure" in advance of the MRC's March 7 Public Meeting.

MRC Subcommittee Chairman Murley suggested the MRC support the proposed development on partially vacant land located in the lower River at the intersection of the Public Riverwalk and the Underline.

**II) Presentation Regarding Permit Application to Reconstruct Existing Piers at Hurricane Cove Marina & Boatyard**

Per the applicant's request, attendees reviewed the Plans for the submitted permit application to reconstruct the existing Piers at Hurricane Cove Marina & Boatyard. Although generally the Army Corps of Engineers allows the reconstruction of existing structures built up to, but not inside, of the federal navigable channel, surprisingly the Army Corps originally requested a 20 foot setback followed by a 10 foot setback from the Federal Navigable Channel line, although the subject submerged land is privately owned. Doing so would result in the loss of some slips and set a concerning precedent for the Miami River. There are no known navigational issues or concerns at this location

MRC Subcommittee Chairman Murley suggested the MRC support the presented Hurricane Cove Marina and Boatyard Plans / Permit application to reconstruct their old existing piers, none of which are located in the Federal Navigable Channel. The item will be presented at the MRC's March 7 public meeting

The public virtual workshop adjourned.

**PUBLIC DOCUMENT**

# **Miami River Commission's Stormwater Subcommittee Public Virtual Workshop Minutes January 5, 2022**

The Miami River Commission (MRC) Stormwater Subcommittee's public virtual workshop convened at 10 am, January 5, 2022. Attendees of the publicly noticed virtual workshop (no votes nor actions taken) included:

Ely Estevez and Harry James, City of Miami  
Omar Abdelrahman and Oscar Aguirre, DERM  
Armando Vilaboy, SFWMD  
Marcia Steelman, WASD  
Anita Nash, FDEP  
Spencer Crowley, FIND  
Charlie Hand, Seybold Canal Homeowner  
MRC board member Patty Harris  
MRC Managing Director Brett Bibeau.

**I. "Miami River Basin Water Quality Improvement Plan" Agency Quarterly Implementation Progress Reports** – Prior to the public workshop Mr. Omar Abdelrahman, Miami Dade County's Department of Environmental Resource Management's (DERM) submitted the following Miami River Basin Water Quality Improvement Plan's progress report.

July – September 2021 - The most alarming water quality violation was detected in July 2021 at Wagner Creek testing location 02 (WC02), where 24,200 (MPN/100ml) Enterobacteria was found, while the clean water standard is only 130 (MPN/100ml). MRC Director Bibeau cited a 12/27/21 FDEP email stating in part:

"Those efforts indicated stormwater conveyances under NW 20<sup>th</sup> St. at the head waters of Wagner Creek/Seybold Canal showed signs of low volumes of untreated human waste...and the county and city stormwater quality managers were aware of the results and planning to work on the issues per their future MS4 permit commitments."

In addition, Miami Dade County's Department of Environmental Resource Management's (DERM) quarterly Miami River Basin Water Quality Improvement Plan's progress reports include water quality samples taken at 4 locations on the Miami River, 3 locations on Wagner Creek, 1 location on Tamiami Canal, 1 location on Comfort Canal, and 4 locations in Biscayne Bay for Enterococci Bacteria, E. Coli, Ammonia Nitrogen, Total Phosphate, and turbidity, including 5-year tracking charts.

Ely Estevez stated currently the City of Miami provides vacuum truck services in all catch basins within the Miami River Water Basin once a year. Ms. Estevez stated twice a year would be ideal and she would provide a cost estimate for this increased service.

Ms. Marcia Steelman, WASD, stated she will confirm that Miami Dade County provides vacuum truck services in all catch basins within the Miami River Water Basin once a year.

Mr. Charlie Hand stated the Stormwater system in Spring Garden is not well maintained, for example more City of Miami Street Sweeping Machine service would be helpful. Ms. Estevez stated she would request more street sweeper services in Spring Garden.

1,000 “Smart manhole covers” are being installed, with 200 per district, including some along the Miami River.

The 2008 Miami River TMDL is for nutrients to be removed which is officially being provided by the Scavenger Water Decontamination Vessel Services.

Charlie Hand asked about the recent repeated very high turbidity events in Wagner Creek, Seybold Canal which then flowed into the Miami River, even on dry days. Ms. Estevez stated using green dye testing methods the City of Miami and DERM found the contamination source is the construction of I-836. Therefore, the City of Miami is still fining FDOT \$500 per day x 255 days = \$127,500 and counting. MS Estevez stated the case remains open at that the City of Miami will require FDOT to conduct testing and dredging to remove the sediments.

The Miami River is officially and logically part of the designated Biscayne Bay Aquatic Preserve Act. Attendees discussed the recently appropriated \$30 million to improve water quality in the Biscayne Bay Aquatic Preserve, with an additional \$20 million budgeted for ‘FY 22-23, for a grand total of \$50 million. MRC Director Bibeau cited the following July 2021 email exchange with DERM:

“I appreciate your email. Few questions please:

1. “There are several stormwater improvement projects that will get at driving down pollutants entering the system, piloting technology” Where are the referenced projects on the Miami River?
2. “as well as testing alternative maintenance schedules for cleaning out storm drain basins.” For the Miami River storm drain basin, how often does County currently clean out the storm drains, and what is the “alternative maintenance schedules for cleaning out storm drain basins” which is being tested along the Miami River?
3. “Additionally, we are working to use new technologies to prevent and predict sanitary sewer overflows and the County will also be conducting septic to sewer conversions.” Where are the referenced projects on the Miami River?

Regarding the Scavenger Water Decontamination, please note it decontaminates 600,000 gallons of water per hour while injecting 150,000 liters of oxygen into the water every hour. In an 8 hour shift it decontaminates 4,800,000 gallons of water, and injects 1,200,000 liters of oxygen into the water. Therefore, it appears to meet the subject FDEP grant agreement line item which states, “reduce or eliminate sources of water quality pollution...with a focus on the Miami River...\$2,150,000”.

Currently, and budgeted for next fiscal year as well, the County thankfully provides the Miami River Commission \$140,000 per year for the Scavenger Water Decontamination vessel to provide 12.5 service hours per week in the 1 mile stretch of the Miami River located in unincorporated Miami-Dade County (27 Ave to NW 36 ST). In addition, the City of Miami contracts the Scavenger Water Decontamination vessel 5 service hours per week in the 4 mile stretch of the Miami River from Biscayne Bay to 27 Ave. Therefore, if only \$57,500 from “DEP Agreement No. C2001, Attachment 3, Pg 3 of 4” which states, “Water Quality Initiatives - Water Quality Characterization: Identify and reduce or eliminate sources of water quality pollution...with a focus on the Miami River...\$2,150,000” is added to the current MRC / County / Scavenger contract, then we would immediately be able to provide an additional 5 needed service hours per week in the City portion of the Miami River from Biscayne Bay to 27 Ave. If this \$57,500 in eligible ST funding is used as proposed for 5 hours of Scavenger Water decontamination Vessel service hours in the Miami River from Biscayne Bay to 27 Ave, plus the City currently funding 5 service hours per week in this same portion of the River which directly connects with Biscayne Bay, would bring this portion of the Miami River up to a combined 10 service hours per week (while County continuing to fund 12.5 service hours per week in unincorporated Miami-Dade County portion of the Miami River from 27 Ave to NW 36 ST / salinity dam).

PLS note for several years in the past the Miami River Commission (MRC) had contracts with FDEP and SFWMD, in which FDEP and SFWMD paid the MRC and the funding was used to pay for services from the Scavenger Water Decontamination Vessel and additional important shoreline cleanups.

Please see attached Scavenger Report. Next, I will email you several independent analyses of its excellent services significantly reducing pollution in the Miami River and Biscayne Bay.

Thanks for your time and support for the Miami River.

Sincerely,  
Brett Bibeau  
Managing Director,  
Miami River Commission  
Cell 305 987 4446 – [www.MiamiRiverCommission.org](http://www.MiamiRiverCommission.org)

*Per State law the Miami River Commission acts as the official coordinating clearinghouse, advocate and watchdog, to ensure public policy and river projects are funded and implemented in a proper and timely manner.*





Miami River Commission - Stormwater Subcommittee  
Public Virtual Workshop Minutes  
January 5, 2022

- 4 -

**From:** (RER)  
**Sent:** Wednesday, July 28, 2021 3:06 PM  
**To:** [brettbibeau@miamirivercommission.org](mailto:brettbibeau@miamirivercommission.org)  
**Subject:** RE: FDEP \$10M Grant Agreement

Hi Brett- hope all is well!

We have several initiatives outlined in the DEP funding that fall into 4 major categories- wastewater, stormwater, water quality, and restoration. Each of these program areas is focused on either identifying potential sources of pollutants (i.e., phosphorus, nitrogen, metals, fecal indicator bacteria, etc.) or eliminating the source. The grant is results-oriented with identifying a plan at the end on how to make the improvements needed to reduce or eliminate sources of contaminants with an almost exclusive focus on infrastructure. In our work to date, DERM divisions have prioritized the Little River and Miami River as focus areas causing the greatest impact to natural resources via eutrophication and other water quality impacts. That is where Miami River comes in, as you noted below. There are several stormwater improvement projects that will get at driving down pollutants entering the system, piloting technology, as well as testing alternative maintenance schedules for cleaning out storm drain basins. Additionally, we are working to use new technologies to prevent and predict sanitary sewer overflows and the County will also be conducting septic to sewer conversions.

I understand you may be interested in pursuing additional funding sources to support the scavenger, which as you know the County already contributes to substantially. Solid waste/debris play into our projects insofar as we understand that vegetative debris and solid waste can clog storm systems such that treatment systems can be overrode, leading to little or no treatment before stormwater reaches the Miami River and later the bay. When the system can't perform as designed because of waste, then the first flush of stormwater runoff cannot be adequately treated or treated at all, often carrying with it considerable concentrations of nutrients, bacteria, and other contaminants. While the DEP funds you inquired about are not applicable to marine debris such as the work the scavenger vessel does, there are many funding sources these days that do address marine debris, including NOAA and FWC (links to resources below). You'll note however that these programs also focus on prevention, not removal alone. It may be worthwhile to consider ways the City and MRC can work toward reducing the amount of trash entering the Miami River at the outset, in addition to removal once it has made its way into surface waters.

[Funding Opportunities | OR&R's Marine Debris Program \(noaa.gov\)](#)  
[Microsoft PowerPoint - McGee\\_FMTPH 2021 Final.pptx \(myfwc.com\)](#)

**From:** [brettbibeau@miamirivercommission.org](mailto:brettbibeau@miamirivercommission.org) <[brettbibeau@miamirivercommission.org](mailto:brettbibeau@miamirivercommission.org)>  
**Sent:** Monday, July 26, 2021 1:54 PM  
**To:** RER  
**Subject:** FDEP \$10M Grant Agreement

EMAIL RECEIVED FROM EXTERNAL SOURCE

Good Afternoon,

**PUBLIC DOCUMENT**

On 6/15/21 the BCC approved agenda Item 14A3, “approving Grant Agreement NO.C2001 With FDEP which Provides \$10,000,000 to MDC”. The Agenda Item’s backup included “DEP Agreement No. C2001, Attachment 3, Pg 3 of 4” which states, “Water Quality Initiatives - Water Quality Characterization: Identify and reduce or eliminate sources of water quality pollution...with a focus on the Miami River...\$2,150,000”. At your convenience please be so kind to reply information re the aforementioned projects on the Miami River. No rush.

Your time and support for the Miami River are appreciated.

Sincerely,  
Brett Bibeau”

RER is yet to answer the 3 pending questions, therefore MRC Director Bibeau resent the emailed questions to RER on 11/18 and 12/23.

On January 4, 2022, RER presented to the State’s Biscayne Bay Commission virtual public meeting that a portion of the aforementioned funding will be used for “Water Quality hot spot investigations” including the “Miami River”. MRC Director Bibeau asked for more details.

MRC Director Bibeau asked for a map depicting the locations of septic tanks within the Miami River Water Basin.

MRC Director Bibeau thanked the City of Miami for increasing the budgeted City Police Marine Patrol by 5 additional officers, and thanked Miami-Dade County for increasing the budgeted County Police Marine Patrol by 5 additional officers. Director Bibeau stated those budgeted officers are in the process of being filled, and the Miami River looks forward to the needed services from these additional budgeted marine patrol officers.

The MRC SSC’s next quarterly public virtual workshop will be March 5, 2022, 10 AM.



Commander  
United States Coast Guard  
Seventh District

909 SE 1<sup>st</sup> Avenue  
Miami, Florida 33131  
Staff Symbol: dpb  
(305)415-6932  
lisia.j.kowalczyk@uscg.mil

February 10, 2022

## PUBLIC NOTICE 05-22

All interested parties are herein notified that the Commander, Seventh Coast Guard District, has received application materials dated 18 January 2022 from the Florida Department of Transportation (FDOT) for approval of location and plans for the replacement of a bridge over a navigable waterway of the United States.

**WATERWAY AND LOCATION:** Miami River, CSX/Tri-Rail railroad track, M 5.8 at City of Miami and City of Hialeah, Miami-Dade County, FL. Latitude 25°48'22.06" N, Longitude 80°15'30.91" W (25.806063, - 80.258570).

**CHARACTER OF WORK:** The project proposes replacing the existing bascule single-track bridge with two new fixed bridges to be installed slightly to the west of the existing bridge. The new bridges will increase rail capacity and replace the existing deficient rail bridge. Each bridge will support one track 22.6 ft. wide and will consist of two spans at 116.8 ft. and 96.7 ft. for a total bridge length of 213.5 ft. The existing bridge will be removed in its entirety.

### MINIMUM NAVIGATIONAL CLEARANCES:

The proposed replacement bridge will have clearances as described in the table below. These clearances are decreases from current clearances over this section of the waterway at or near this mile.

	Existing	Proposed
Vertical	Unlimited w/open draw	7 ft. at MHW
Horizontal	55 ft.	48 ft. minimum

**Datum:** NAVD88

### ENVIRONMENTAL CONSIDERATIONS:

The FDOT is the lead Federal agency for satisfying the requirements of the National Environmental Policy Act (NEPA). FDOT is acting on behalf of the U.S. Coast Guard for all environmental control laws. An Environmental Assessment/FONSI dated 12 January 2018, pursuant to NEPA, as amended. The U.S. Guard has tentatively determined that the proposed

action will not have a significant impact for the purposes of NEPA and plans to issue a FONSI for the project. Documents are available for review at the above address, Monday through Friday, 8:00 a.m. to 4:00 p.m.

A water quality certification in accordance with Section 401 of the Clean Water Act, as amended, for this project was applied for from the South Florida Water management District, application #211012-31844. No wetlands will be taken or affected by this project.

The bridge is not located in the floodplain. The 100-year flood elevation is 5.8 feet, while elevation of the low member of the navigation span is 7 ft. Elevations are referenced to NAVD88 datum. Approximately 2,668 sq. ft. of fill material will be placed below mean high water level for the construction of the bridge and approaches.

The decision as to whether to grant approval of the location and plans for the proposed action rests primarily upon the effect it has on navigation.

#### **SOLICITATION OF COMMENTS:**

Mariners are requested to comment on the proposed navigation clearances, placement of a bridge protective system and other navigational safety issues, including need for clearance gauges and extent of nighttime navigation to determine the need for bridge lighting. Interested parties are requested to express their views, in writing, on the proposed bridge project including its possible impacts to navigation.

We will forward comments of an environmental nature such as those regarding wildlife refuges, public parks, historic sites, wetlands, floodplain issues, air, water quality, environmental justice, etc. to FDOT. Comments will be received for the record at the address noted in the header or via email [Lisia.j.kowalczyk@uscg.mil](mailto:Lisia.j.kowalczyk@uscg.mil) through **12 March 2022**.

Map of location and plans attached.

Lisia J. Kowalczyk  
Bridge Administrator  
By direction of the Commander,  
Seventh Coast Guard District

STATE OF FLORIDA  
 DEPARTMENT OF TRANSPORTATION

CONTRACT PLANS

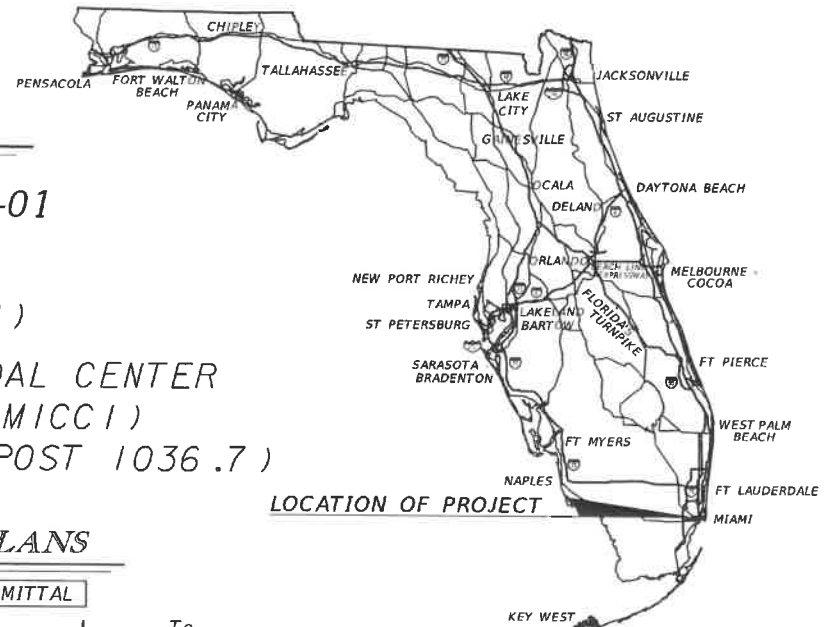
FINANCIAL PROJECT ID 429487-2-52-01

MIAMI-DADE COUNTY (87038)

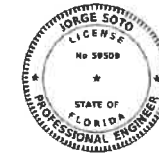
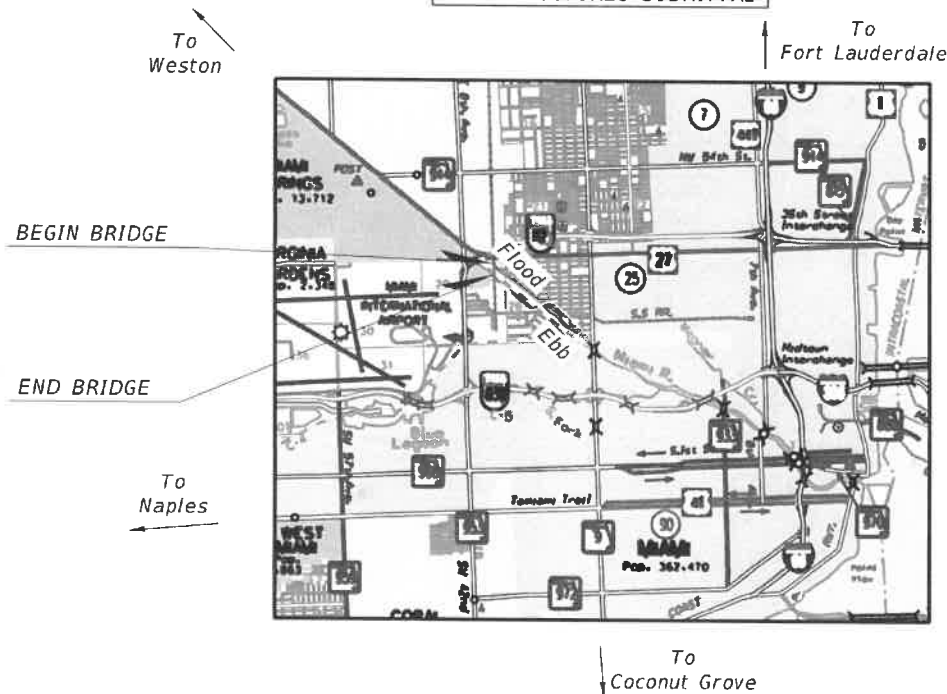
MIAMI RIVER - MIAMI INTERMODAL CENTER  
 CAPACITY IMPROVEMENT (MR MICCI)  
 SFRC MIAMI RIVER BRIDGE (MILE POST 1036.7)

STRUCTURE PLANS

60% STRUCTURES SUBMITTAL



LOCATION OF PROJECT



Jorge E Soto  
 2022.02.01  
 12:52:57-05'00"

STATE OF FLORIDA DEPARTMENT OF TRANSPORTATION			
JORGE E. SOTO, P.E. NO.: 59509 HARDESTY & HANOVER, LLC 3250 W. COMMERCIAL BOULEVARD SUITE 348 FORT LAUDERDALE, FL 33309			
ROAD NO.	MILE POINT	COUNTY	STATE
-	1036.7	MIAMI-DADE	FLORIDA
MIAMI RIVER - MIAMI INTERMODAL CENTER CAPACITY IMPROVEMENT (MR-MICCI) SFRC MIAMI RIVER BRIDGE (MILE POST 1036.7)			
BRIDGE KEY SHEET			1 OF 4



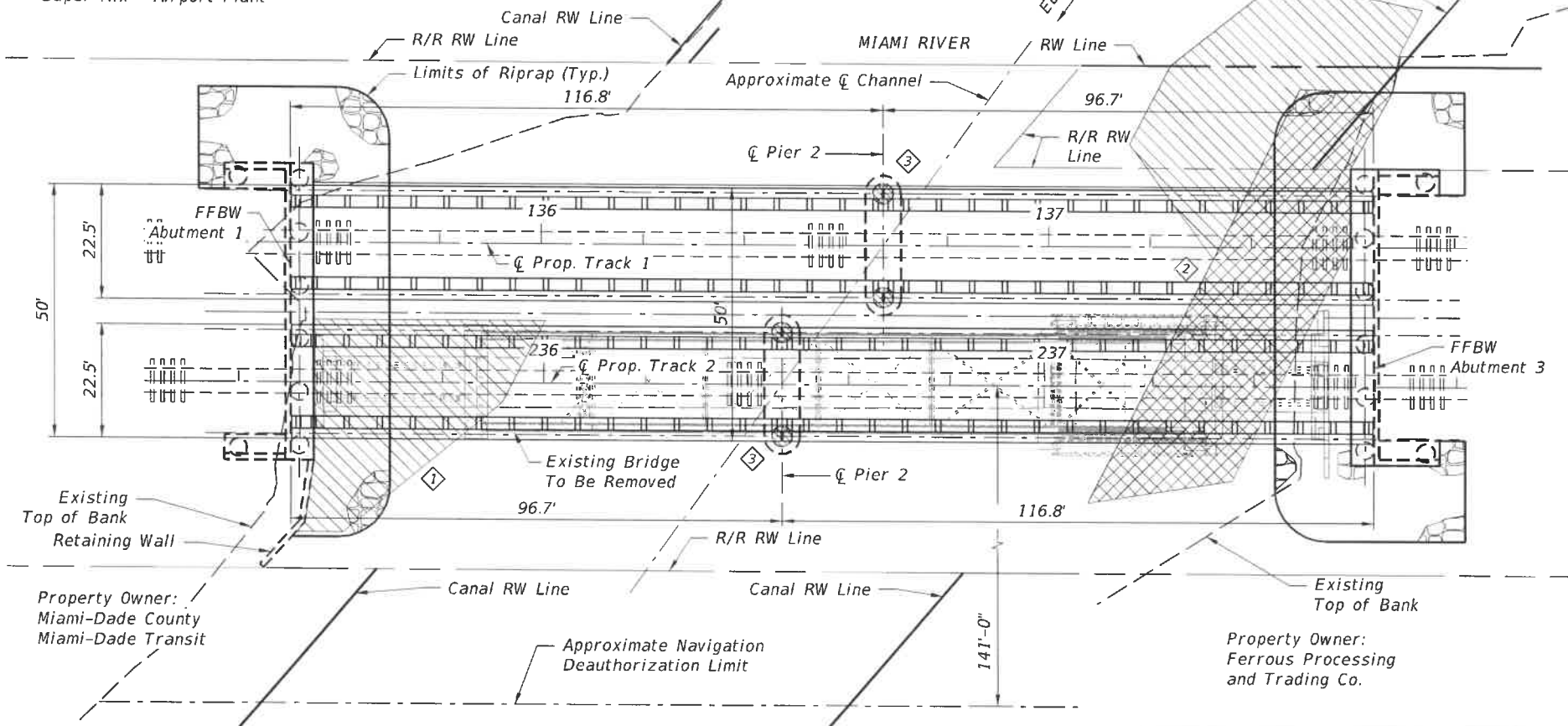
DATE  
 2/01/22



Jorge E Soto  
2022.02.01  
12:53:58-05'00"

Property Owner:  
Super Mix - Airport Plant

Property Owner:  
Florida Department  
of Transportation



Removal: All parts of the existing bridge will be removed in its entirety: existing end bents, intermediate piers, existing fender system, bascule piers. Piles to be removed 2' below mudline.



LOCATION	DESCRIPTION	DREDGE QUANTITY	FILL QUANTITY
①	Abutment 1 Rip-rap/ground below MHW	N/A	1,238 SF (0.028 ACRES)
②	Abutment 3 Rip-rap/ground below MHW	1872 SF (0.043 ACRES)	1,379 SF (0.032 ACRES)
③	Pier 2 (All Drilled Shafts Below MHW)	N/A	51 SF (0.001 ACRES)
Total		1,872 SF (0.043 ACRES)	2,668 SF (0.061 ACRES)

**SYMBOLS**

- FILL AREA
- DREDGE AREA

**NOTES:**

1. Vertical Datum NAVD 1988.
2. Design High Water Elevation +5.32'

DATE  
2/01/22

STATE OF FLORIDA  
DEPARTMENT OF TRANSPORTATION

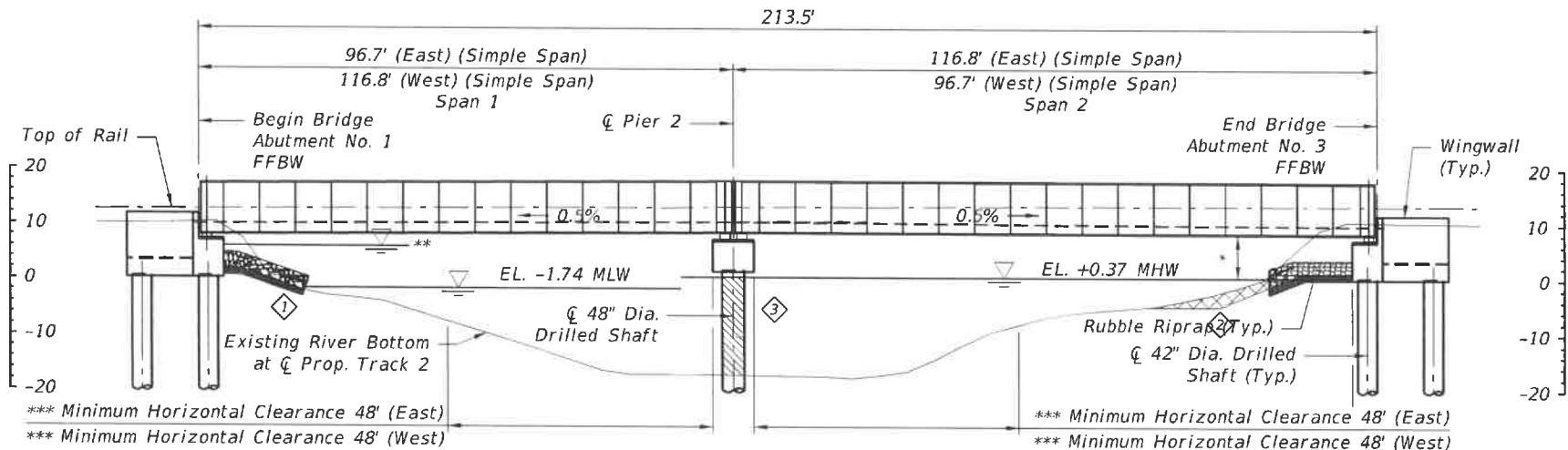
JORGE E. SOTO, P.E. NO.: 59509  
HARDESTY & HANOVER, LLC  
3250 W. COMMERCIAL BOULEVARD  
SUITE 348  
FORT LAUDERDALE, FL 33309

ROAD NO.	MILEPOINT	COUNTY	STATE
-	-	MIAMI-DADE	FLORIDA

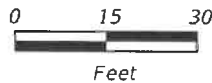
MIAMI RIVER - MIAMI INTERMODAL CENTER  
CAPACITY IMPROVEMENT (MR-MICCI)  
SFRC MIAMI RIVER BRIDGE (MILE POST 1036.7)

BRIDGE PLAN

2 OF 4



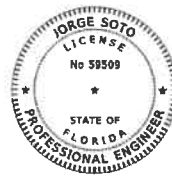
**EAST ELEVATION**  
(West Elevation Similar)



**SYMBOLS**

- FILL AREA
- DREDGE AREA

LOCATION	DESCRIPTION	DREDGE QUANTITY	FILL QUANTITY
①	Abutment 1 Rip-rap/ground below MHW	N/A	92 CY
②	Abutment 3 Rip-rap/ground below MHW	208 CY	103 CY
③	Pier 2 (All Drilled Shafts Below MHW)	N/A	31 CY
Total		208 CY	226 CY



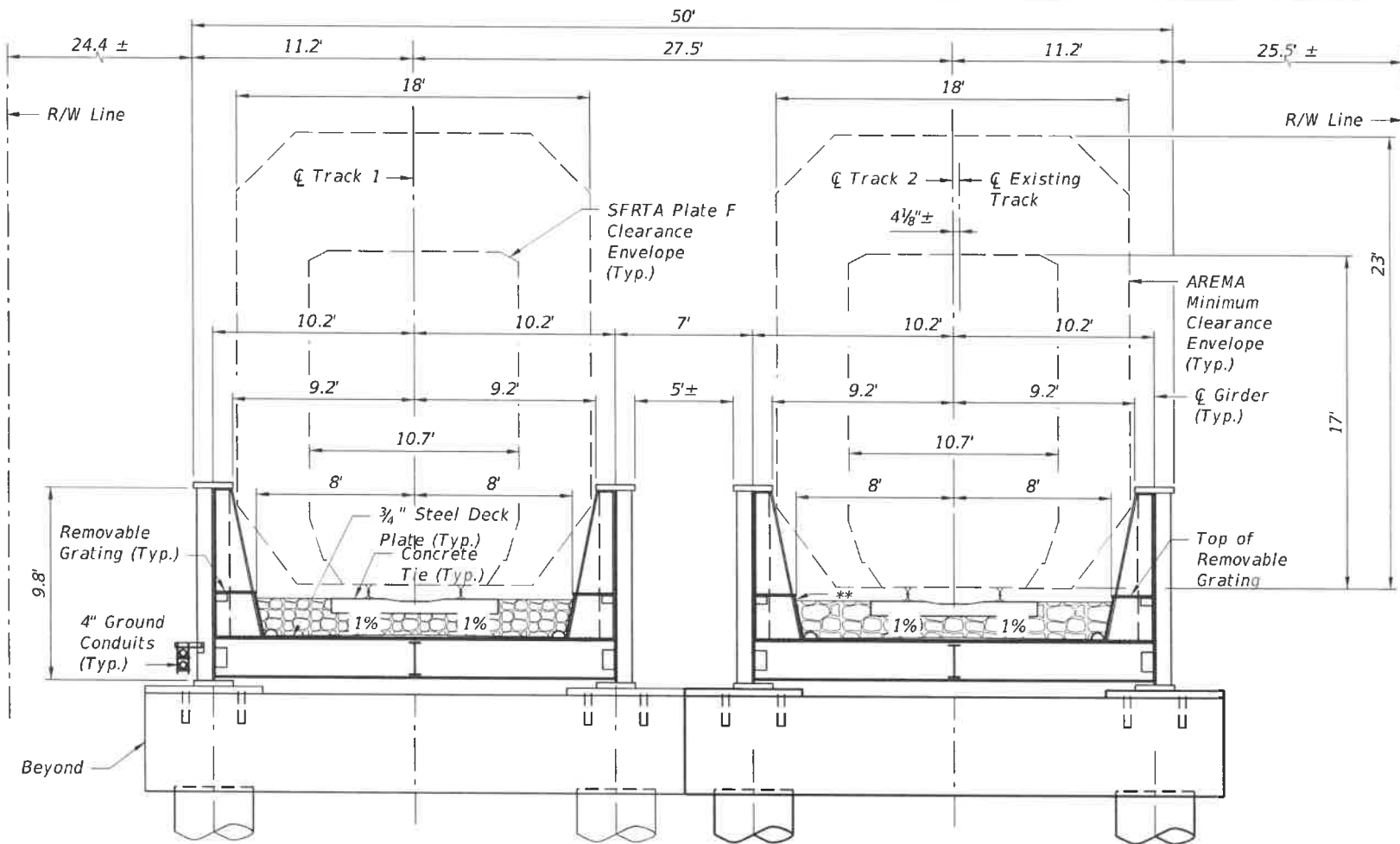
**Jorge E Soto**  
2022.02.01  
13:03:28-05'00"

**NOTES:**

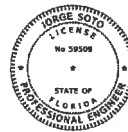
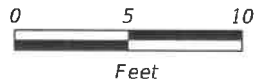
1. Vertical Datum NAVD 1988.
2. Design High Water Elevation +5.32'.

DATE  
2/01/22

<b>STATE OF FLORIDA DEPARTMENT OF TRANSPORTATION</b>			
JORGE E. SOTO, P.E. NO.: 59509 HARDESTY & HANOVER, LLC 3250 W. COMMERCIAL BOULEVARD SUITE 348 FORT LAUDERDALE, FL 33309			
ROAD NO.	MILE POINT	COUNTY	STATE
-	-	MIAMI-DADE	FLORIDA
MIAMI RIVER - MIAMI INTERMODAL CENTER CAPACITY IMPROVEMENT (MR-MICCI) SFRC MIAMI RIVER BRIDGE (MILE POST 1036.7)			
<b>BRIDGE ELEVATION</b>			<b>3 OF 4</b>



TYPICAL SECTION



Jorge E Soto  
2022.02.01  
13:03:52-05'00"

STATE OF FLORIDA  
DEPARTMENT OF TRANSPORTATION

JORGE E. SOTO, P.E. NO.: 59509  
HARDESTY & HANOVER, LLC  
3250 W. COMMERCIAL BOULEVARD  
SUITE 348  
FORT LAUDERDALE, FL 33309

ROAD NO.	MILE POINT	COUNTY	STATE
	-	MIAMI-DADE	FLORIDA

MIAMI RIVER - MIAMI INTERMODAL CENTER  
CAPACITY IMPROVEMENT (MR-MICCI)  
SFRC MIAMI RIVER BRIDGE (MILE POST 1036.7)

DATE
2/01/22

TYPICAL SECTION

4 OF 4



**“MIAMI RIVER BASIN WATER QUALITY IMPROVEMENT REPORT”**  
**Action Item Matrix Quarterly Progress Report**

Fourth Quarterly Report, 2021  
(October-December 2021)

**Action Item:**

4. Monitoring and Research

- a. Continue monthly monitoring for water quality of Wagner Creek, Miami River, and adjoining Biscayne Bay

<b>Lead Agency:</b>	Miami-Dade County Regulatory and Economic Resources, Division of Environmental Resources Management (DERM)
<b>Contact Name</b>	Pamela Sweeney or Omar Abdelrahman, DERM
<b>Address</b>	701 NW 1 <sup>st</sup> Court Miami, FL 33136
<b>Telephone</b>	(305) 372-6594 or (305) 372-6872
<b>Fax</b>	(305) 372-6649
<b>E-mail</b>	<a href="mailto:Pamela.sweeney@miamidade.gov">Pamela.sweeney@miamidade.gov</a> <a href="mailto:abdelo@miamidade.gov">abdelo@miamidade.gov</a>

**Action Item Status:**

Miami-Dade DERM has continued to collect monthly water quality samples in the Miami River and its tributaries (including Tamiami Canal, Comfort Canal and Wagner Creek). During the Fourth Quarter of 2021 samples were collected at each of the eight (8) stations in the River and tributaries on First Tuesday of the first full week in October and November and December. Costs for sampling (including salaries and fringe and analysis) have been calculated at approximately \$394 per station per month. No sewage spills were reported on or around the Miami River or its tributaries during the quarter.

The Florida Department of Environmental Protection (FDEP) revised the human health-based surface water quality criteria in Chapter 62-302, F.A.C that are designed to ensure that Floridians can safely eat Florida fish and drink local tap water. Figures 1 -3 below depict where monthly results for stations in the Miami River and the vicinity exceed the single sample standard of 130 cfu/100ml for Enterococcus—the applicable indicator for saline locations. Figure 4 is a quarterly composite of Enterococci results from station locations on the Miami River and its tributaries showing how frequently the results at each station exceeded the standard during the Third Quarter of the year. Table 1 lists the observed Enterococcus values, as well as E. Coli levels, in Wagner Creek and its confluence with the Miami River (MR03) for October-December.

**“MIAMI RIVER BASIN WATER QUALITY IMPROVEMENT REPORT”**  
**Action Item Matrix Quarterly Progress Report**

**Biscayne Bay Surface Water Quality Monitoring Program**  
**Enterococci Bacteria Sample Compliance**  
**October 2021**  
**Miami River and Tributaries**

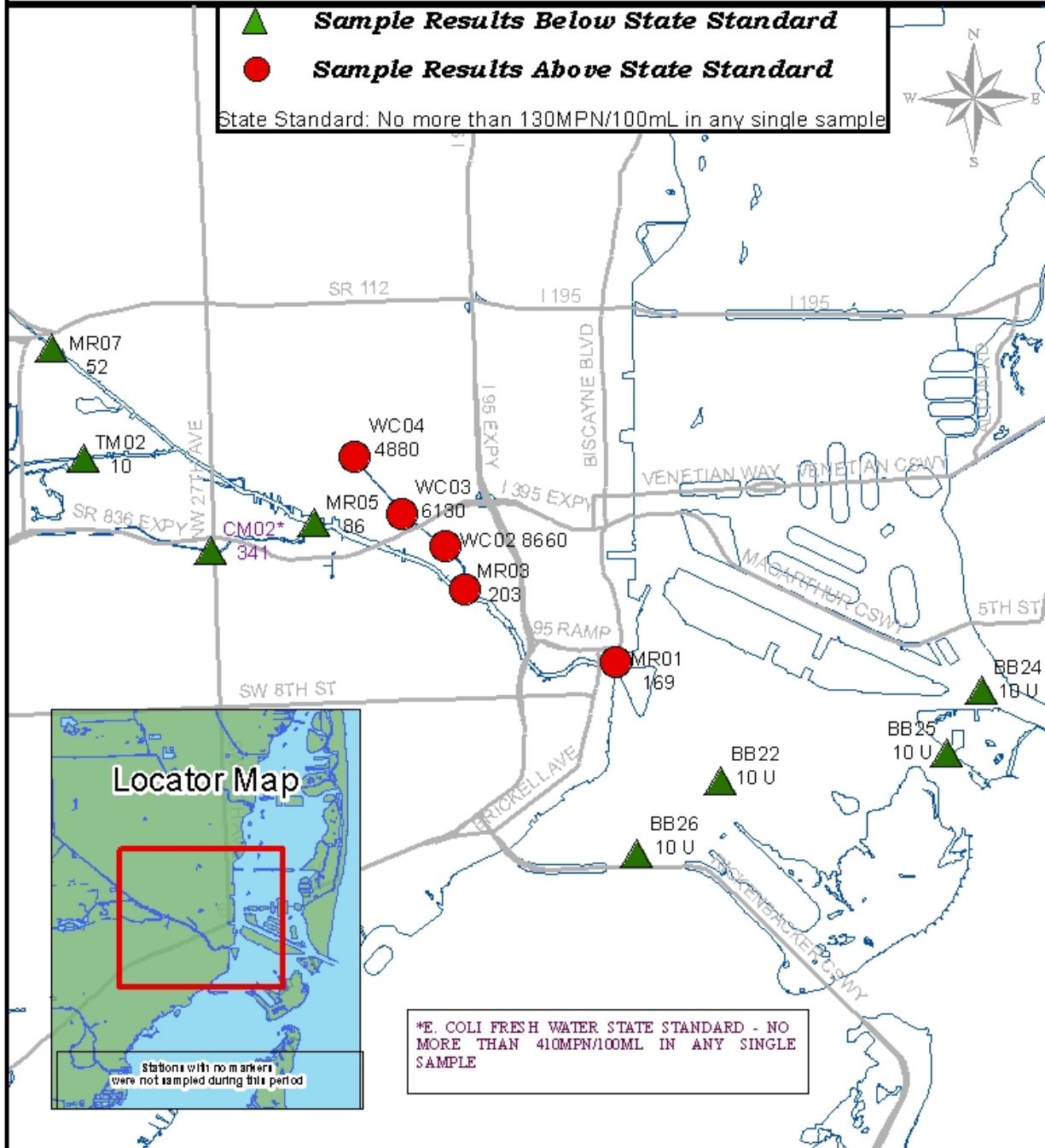


Figure 1.

# Biscayne Bay Surface Water Quality Monitoring Program

## Enterococci Bacteria Sample Compliance

### November 2021

### Miami River and Tributaries

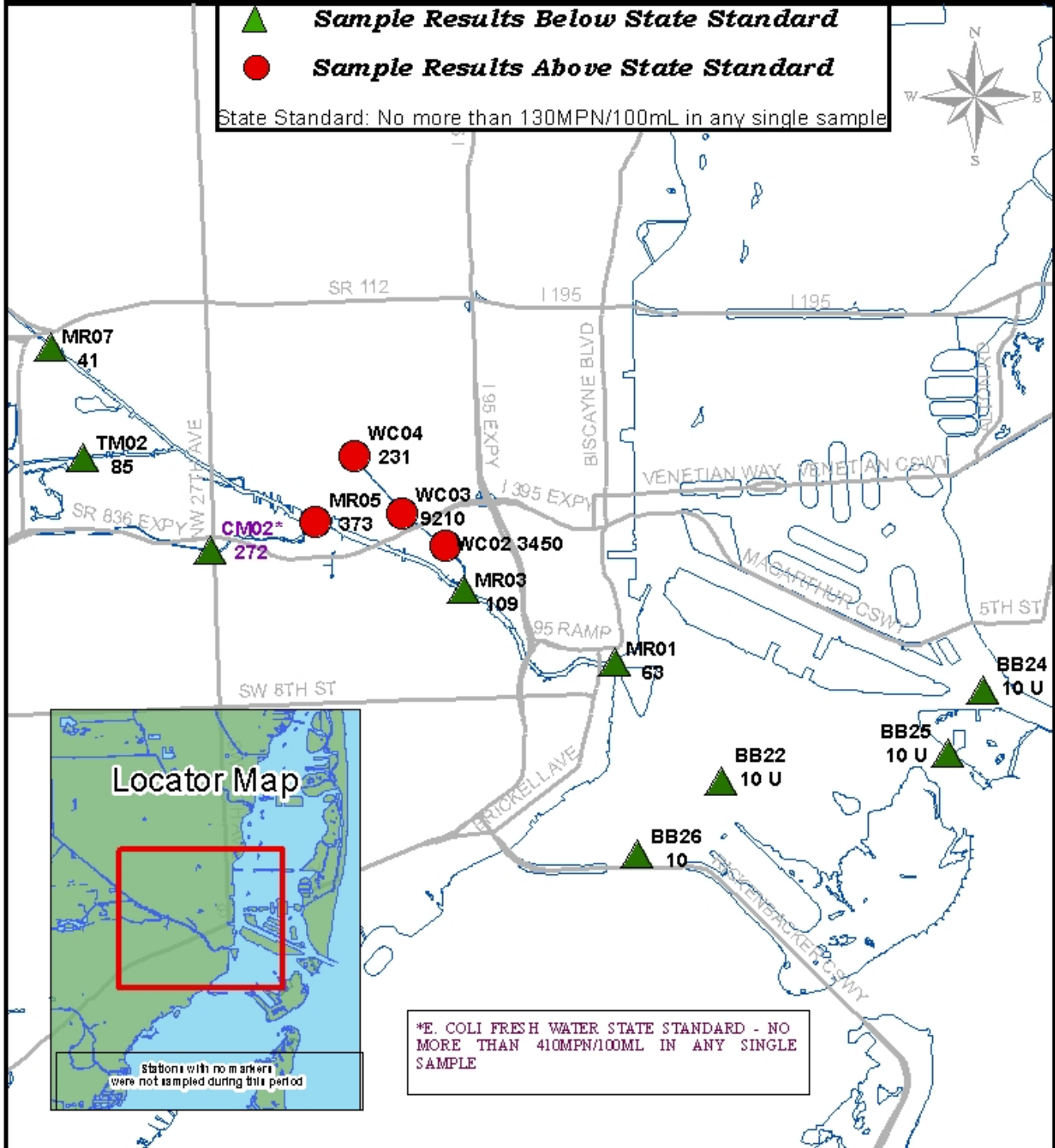


Figure 2.

# Biscayne Bay Surface Water Quality Monitoring Program

## Enterococci Bacteria Sample Compliance

### December 2021

### Miami River and Tributaries

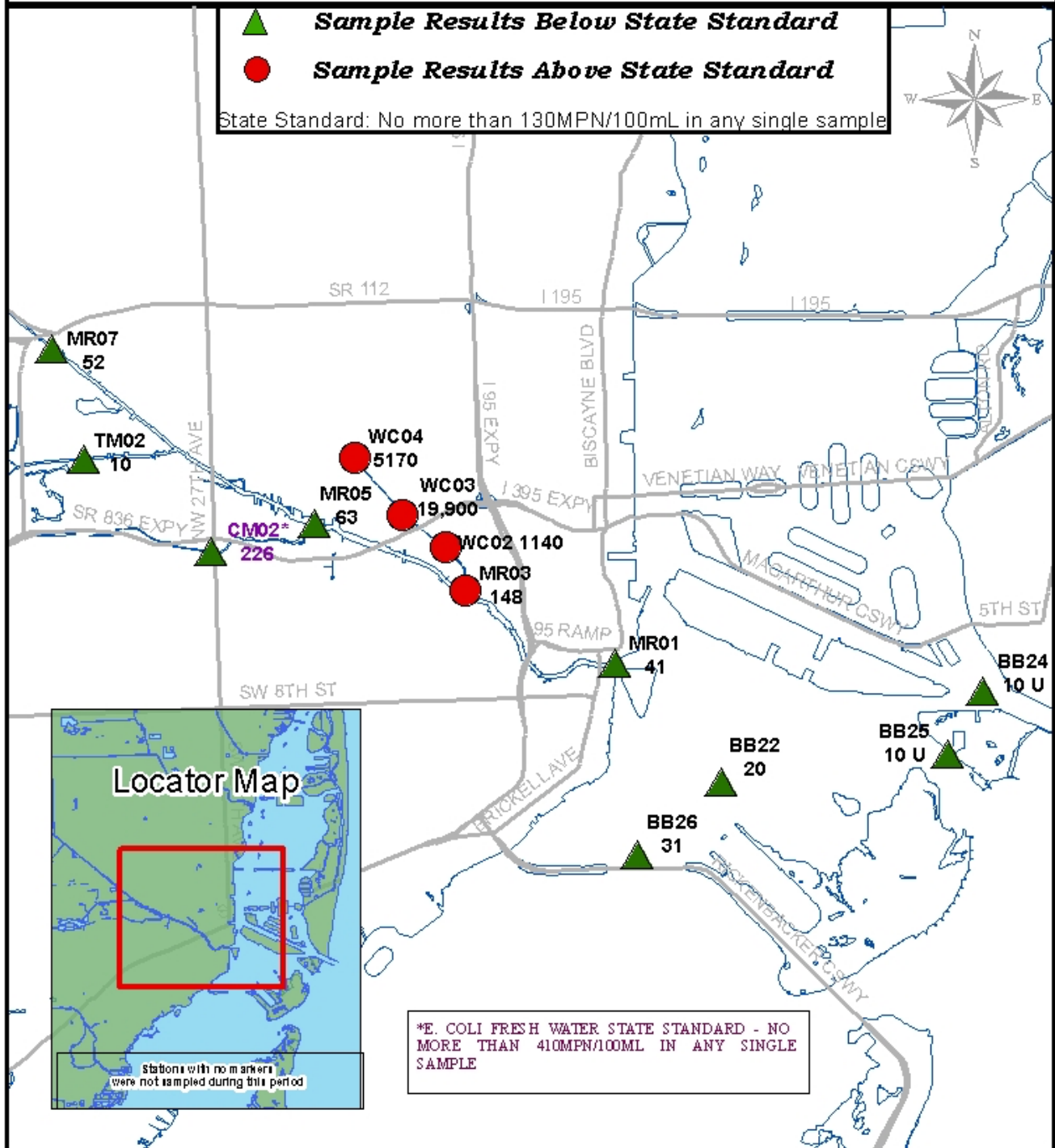


Figure 3.

# Biscayne Bay Surface Water Quality Monitoring Program

## Quarterly Summary of Enterococci Sample Compliance

### October to December 2021

### Miami River and Tributaries

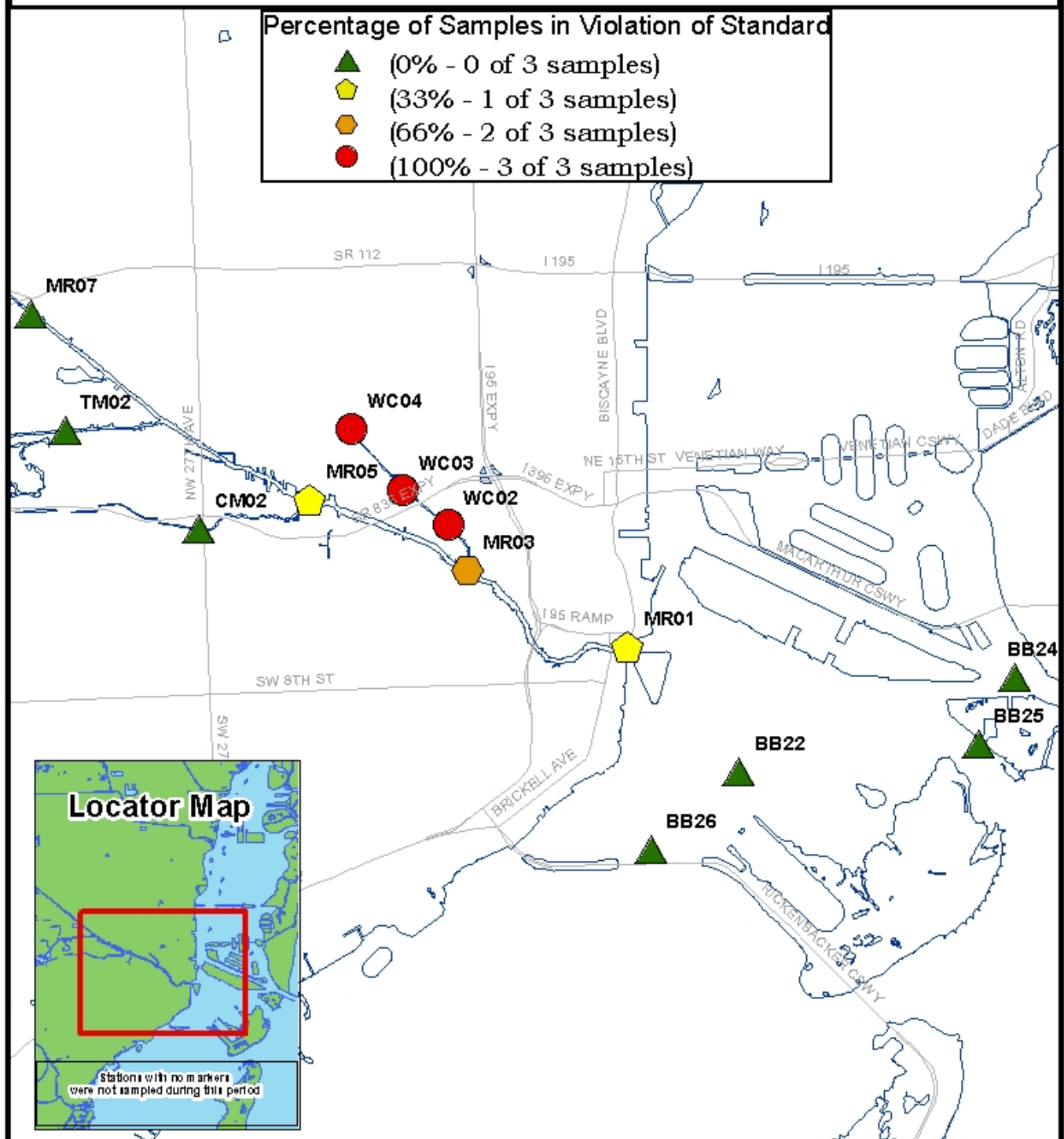


Figure 4.

**Table 1.**

MONTHLY INDICATOR BACTERIA LEVELS (cfu's/100 ml) IN WAGNER CREEK								
	MR03		WC02		WC03		WC04	
Parameter	Entero	E.Coli	Entero	E.Coli	Entero	E.Coli	Entero	E.Coli
October	203*	218	8660*	8160*	6130*	2600*	4880*	8660*
November	109	262	3450*	2310*	9210*	8160*	231*	443*
December	148*	209	1140*	594*	19900*	24196*	5170*	24196*

A "\*" indicates results that exceed the State's E. Coli Standard (410 cfu/100ml) or Enterococci (130 cfu/100ml); a "0" indicates that the true value was below the method detection limit.

**Fourth Quarterly Report, 2021**  
(October-December 2021)

**Action Item:**

- 5. Management
  - d. Establish standardized water quality tracking for key characteristics

<b>Lead Agency:</b>	Miami-Dade County DERM
<b>Contact Name</b>	Omar Abdelrahman DERM
<b>Address</b>	701 NW 1 <sup>ST</sup> Court Miami, FL 33136
<b>Telephone</b>	(305) 372-6872
<b>Fax</b>	(305) 372-6630
<b>e-mail</b>	<a href="mailto:abdelo@miamidade.gov">abdelo@miamidade.gov</a>

**Action Item Status:**

This report presents selected results of the water quality monitoring that occurred in the Fourth Quarter (October-December) of 2021 for Bacteriological parameters, Ammonia, Total Phosphorus, and Turbidity. Due to the extensive nature of the database, it is not feasible to track each parameter collected at each station for the period of record. Therefore, representative parameters have been selected to achieve the objective of this Action Item. Current water quality trends will be tracked by plotting the actual sample results of several key parameters (see Charts 1-14 for graphs of Ammonia Nitrogen, Total Phosphorus, Bacteriological Indicator species, and Turbidity data) throughout the river.

All currently monitored stations in the river were included with each parameter plotted on 3 separate graphs each representing the lower river, upper river, and Wagner Creek (See maps presented under action item 4.a for station locations). Data are plotted in time series from the previous ten-year (2011-2021) period, except for Enterococcus and Escherichia Coli which only have 4 years of data available. For further comparison, the target values developed under Action Item 4.f are plotted, and where applicable, the existing state or county standard for each parameter is shown.

Chart 1.

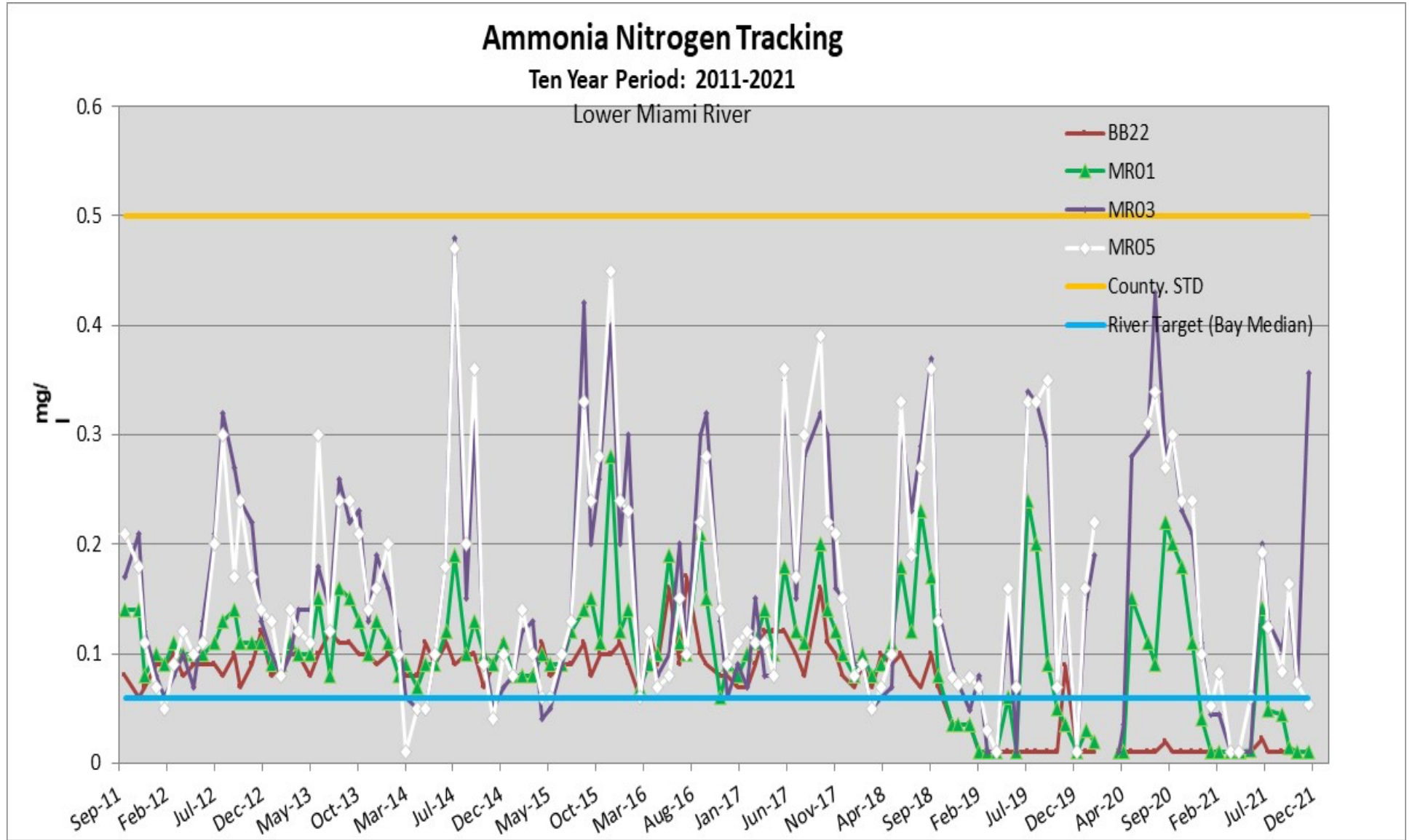




Chart 2.

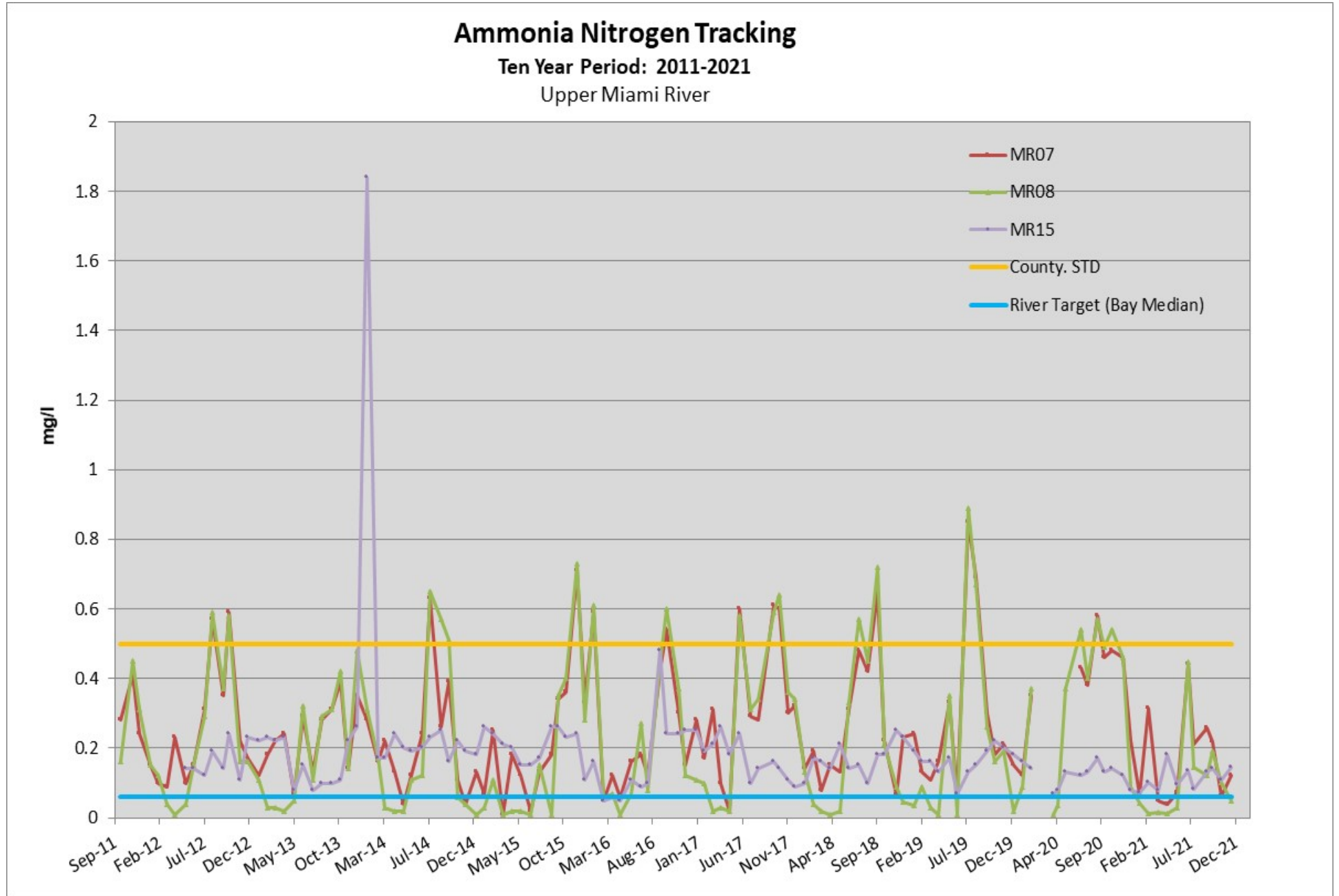


Chart 3

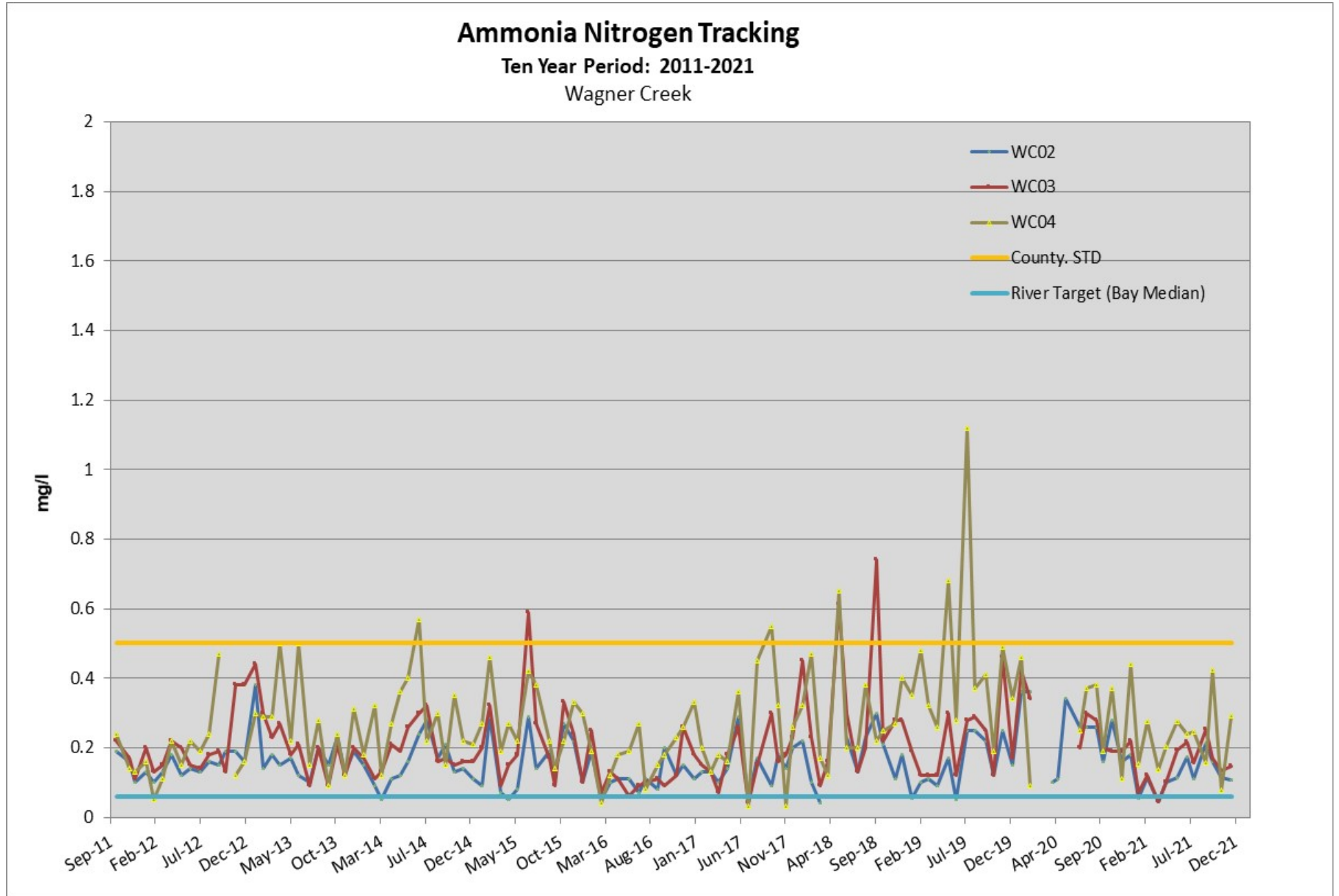


Chart 4.

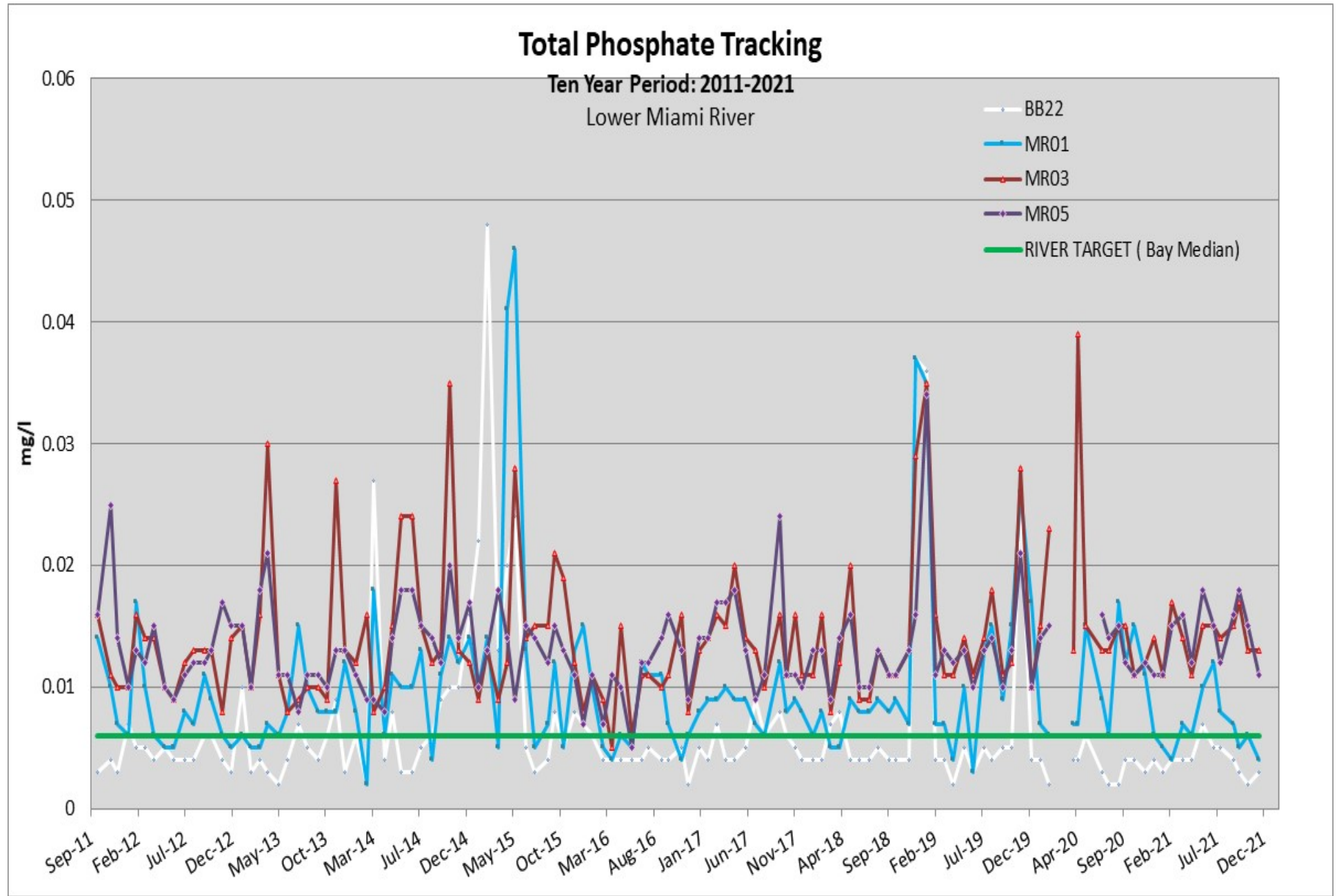


Chart 5.

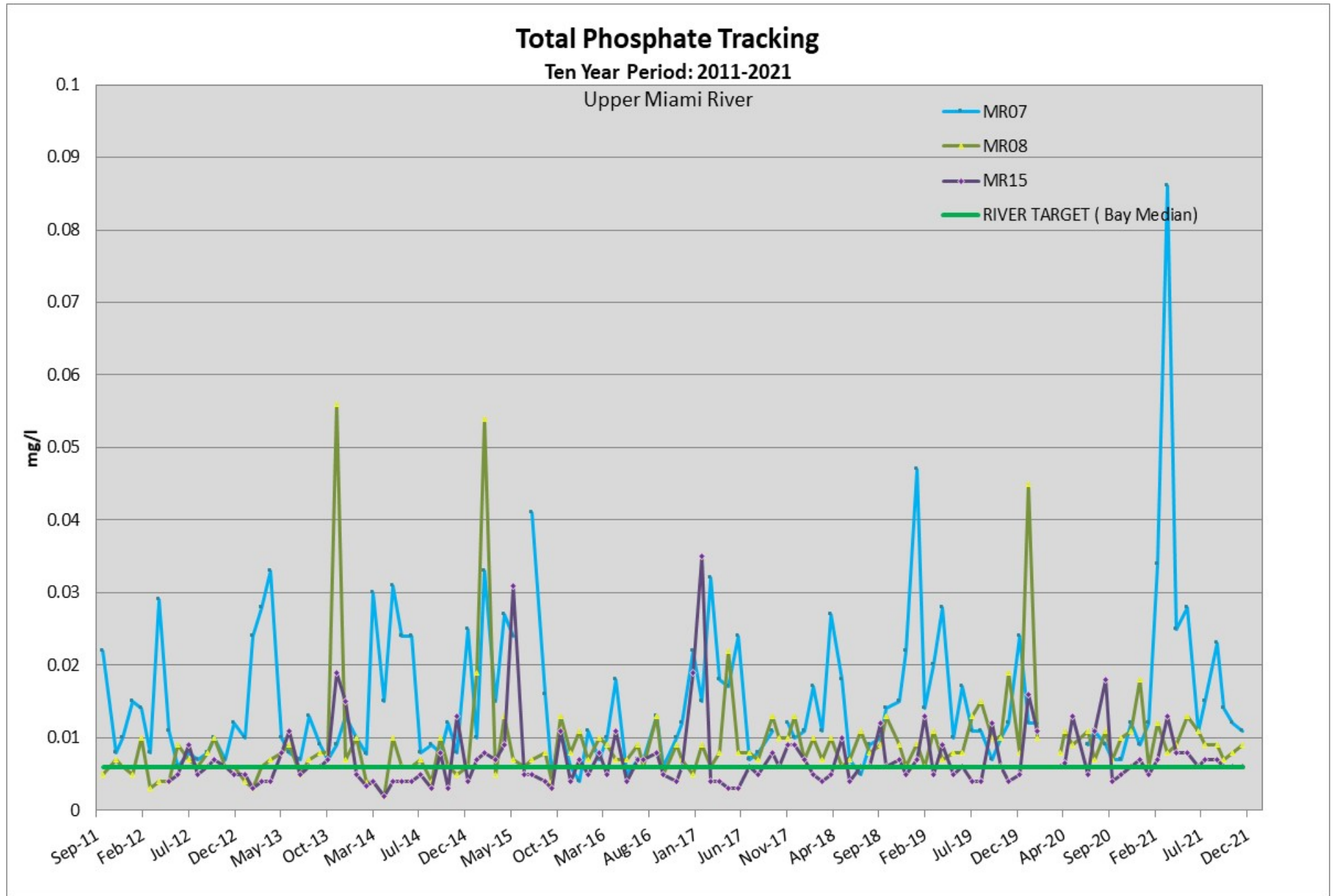


Chart 6.

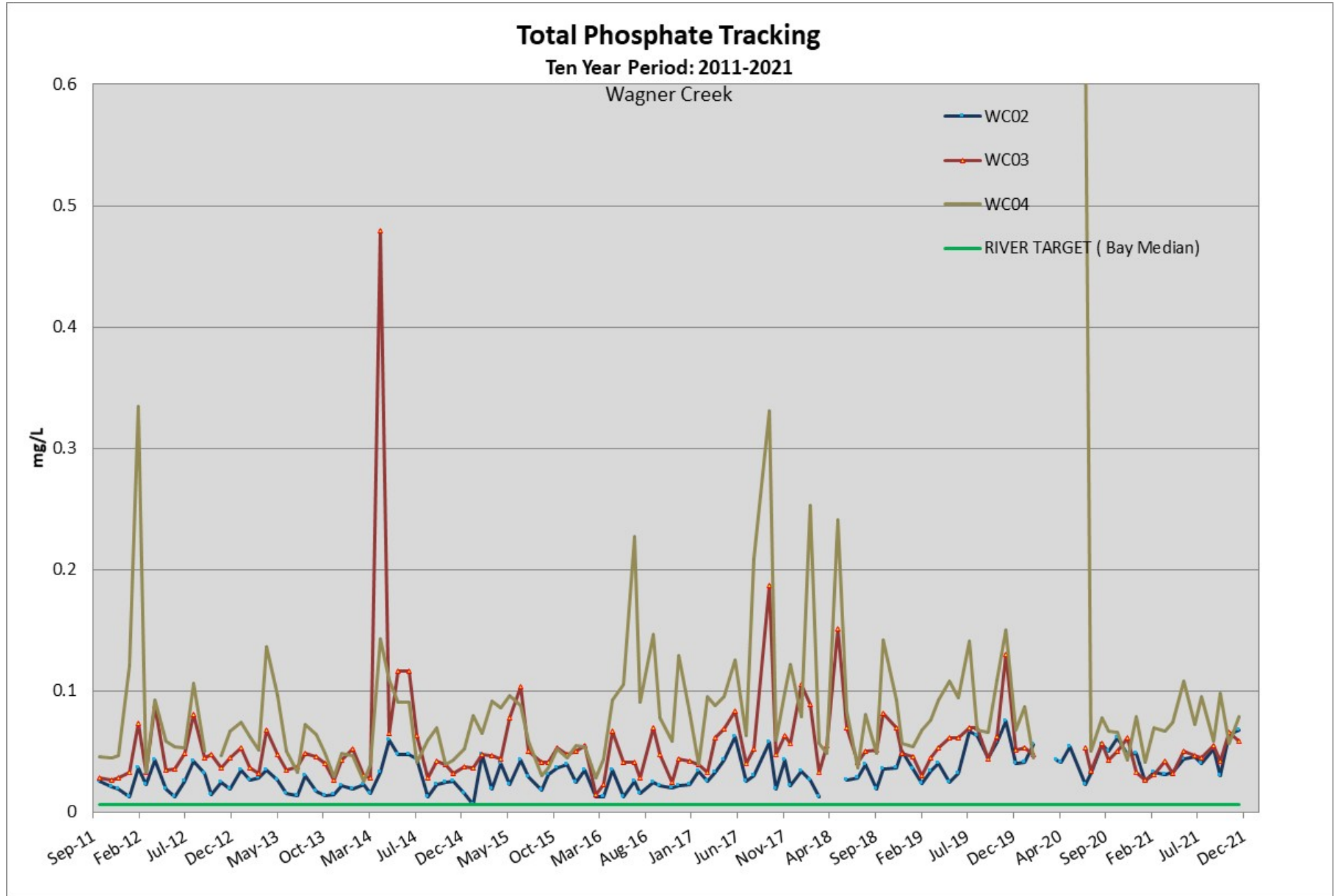


Chart 7.

### Enterococci Tracking Lower Miami River

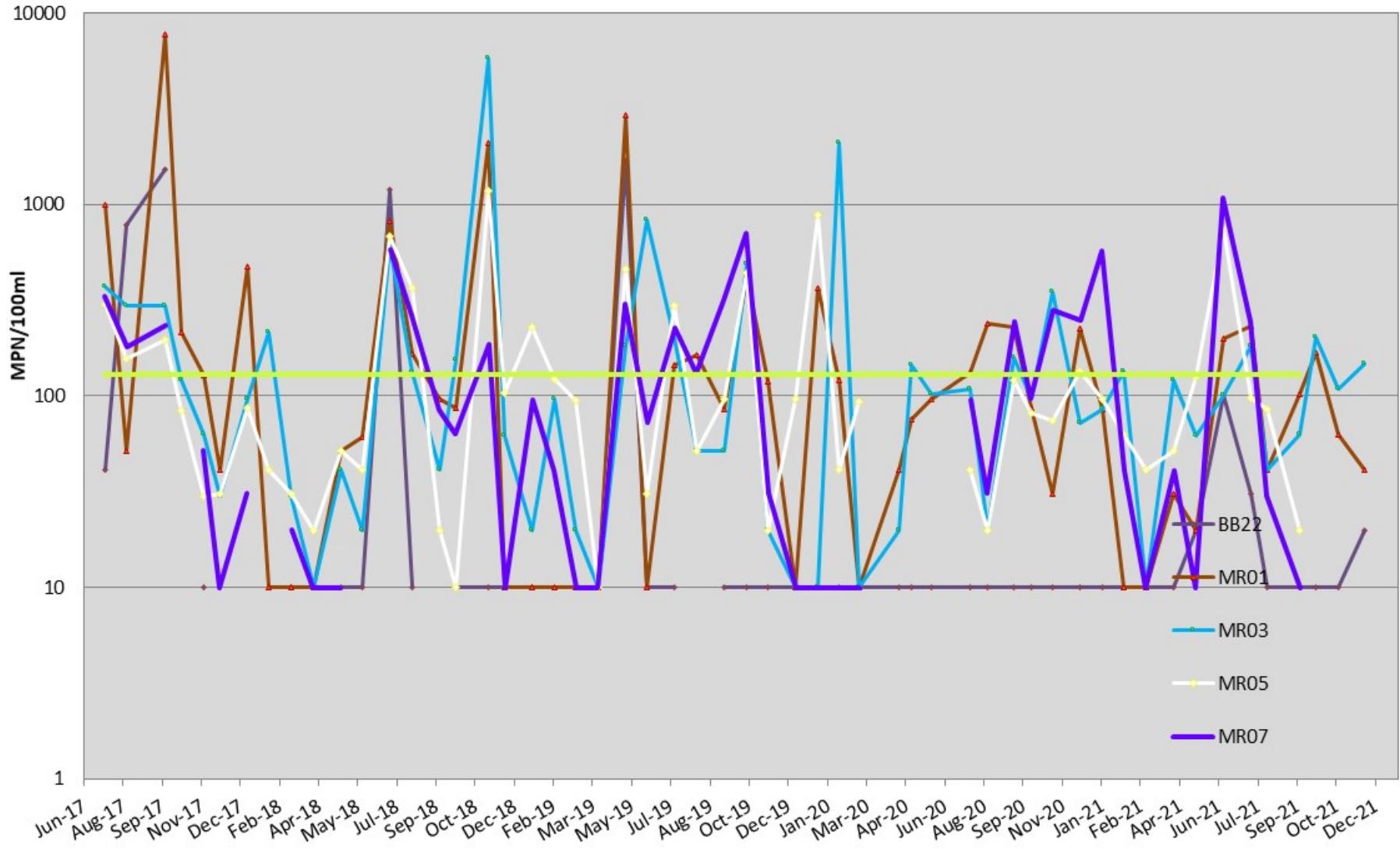


Chart 8.

### Enterococci Tracking Wagner Creek

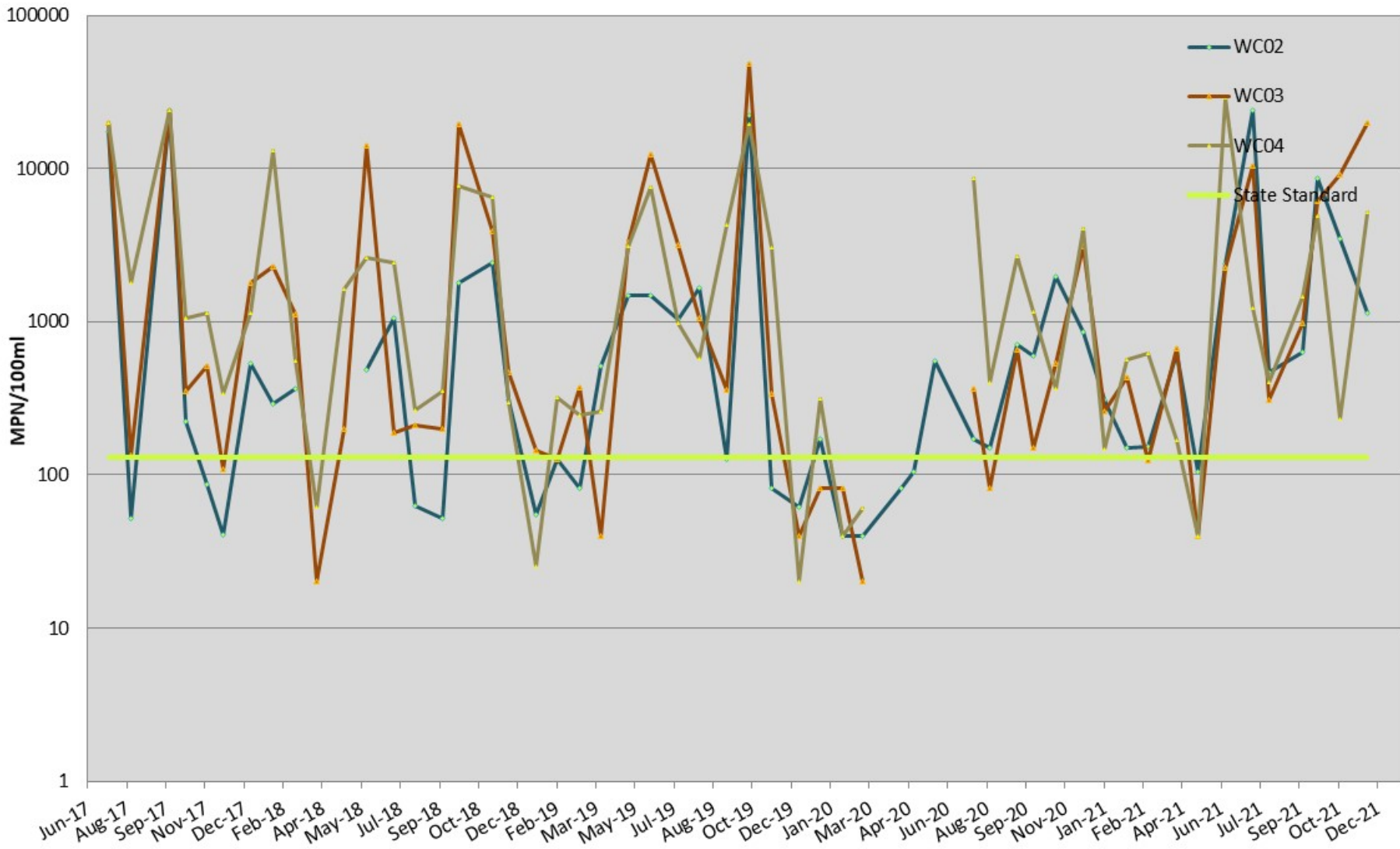


Chart 9.

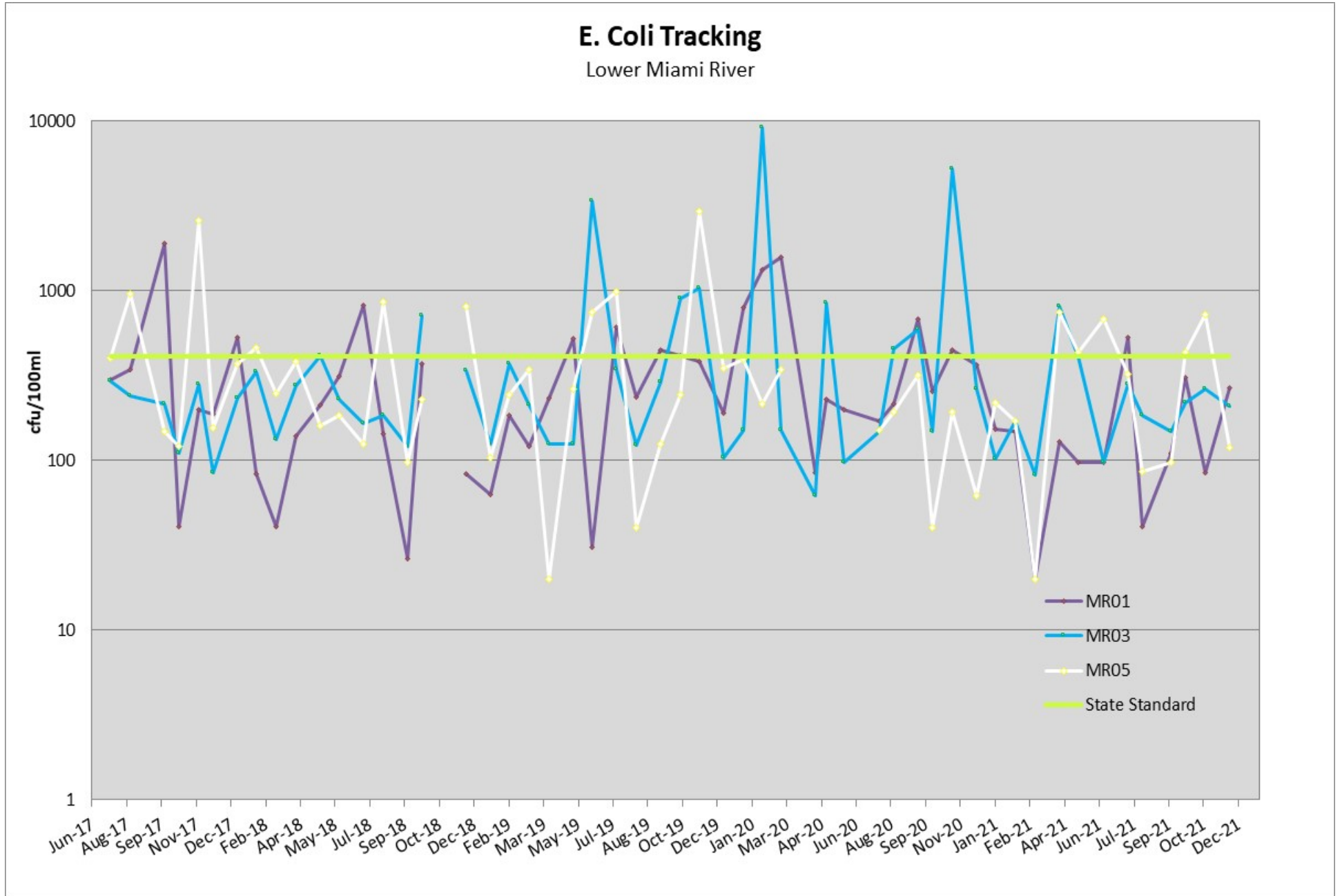




Chart 10.

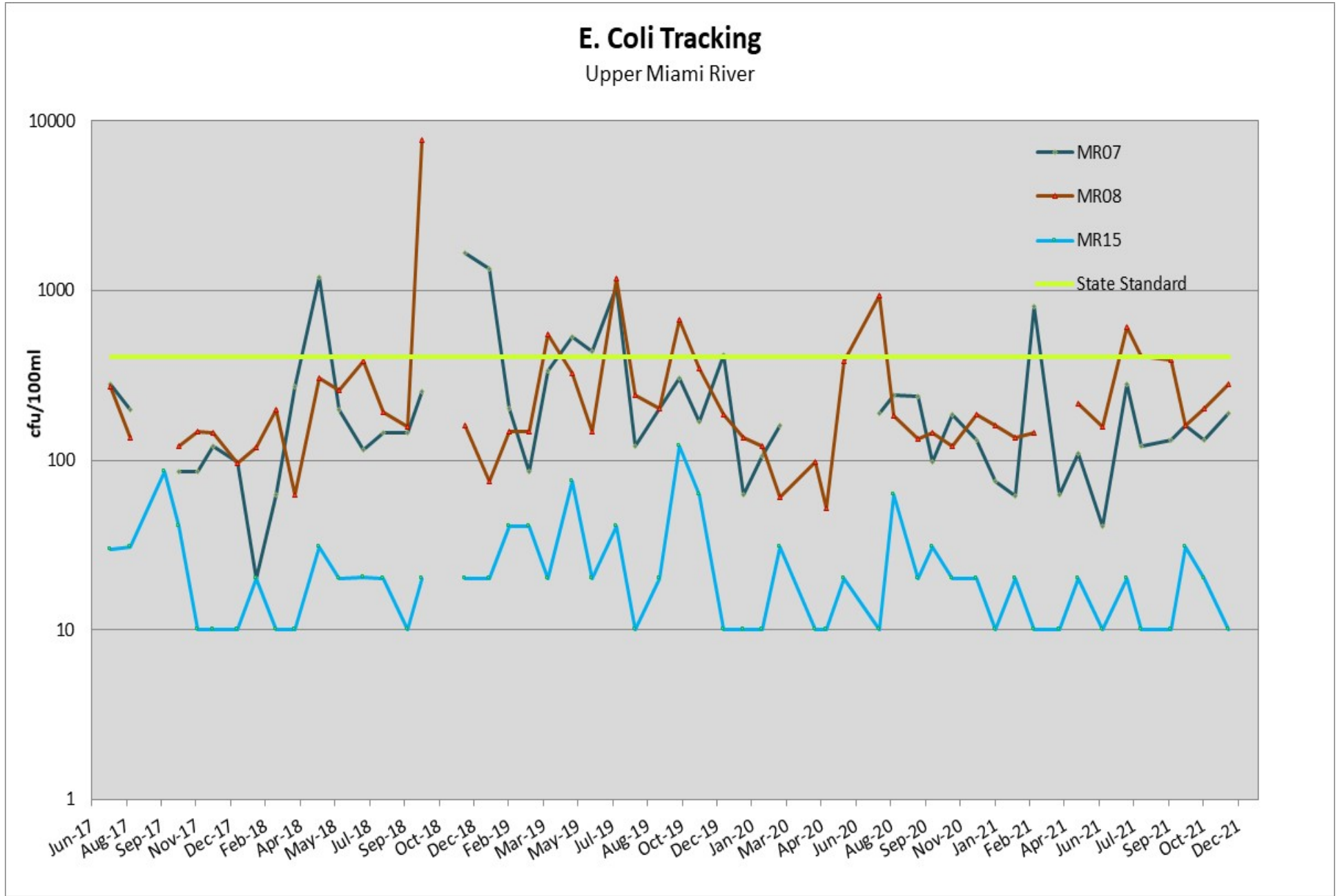


Chart 11.

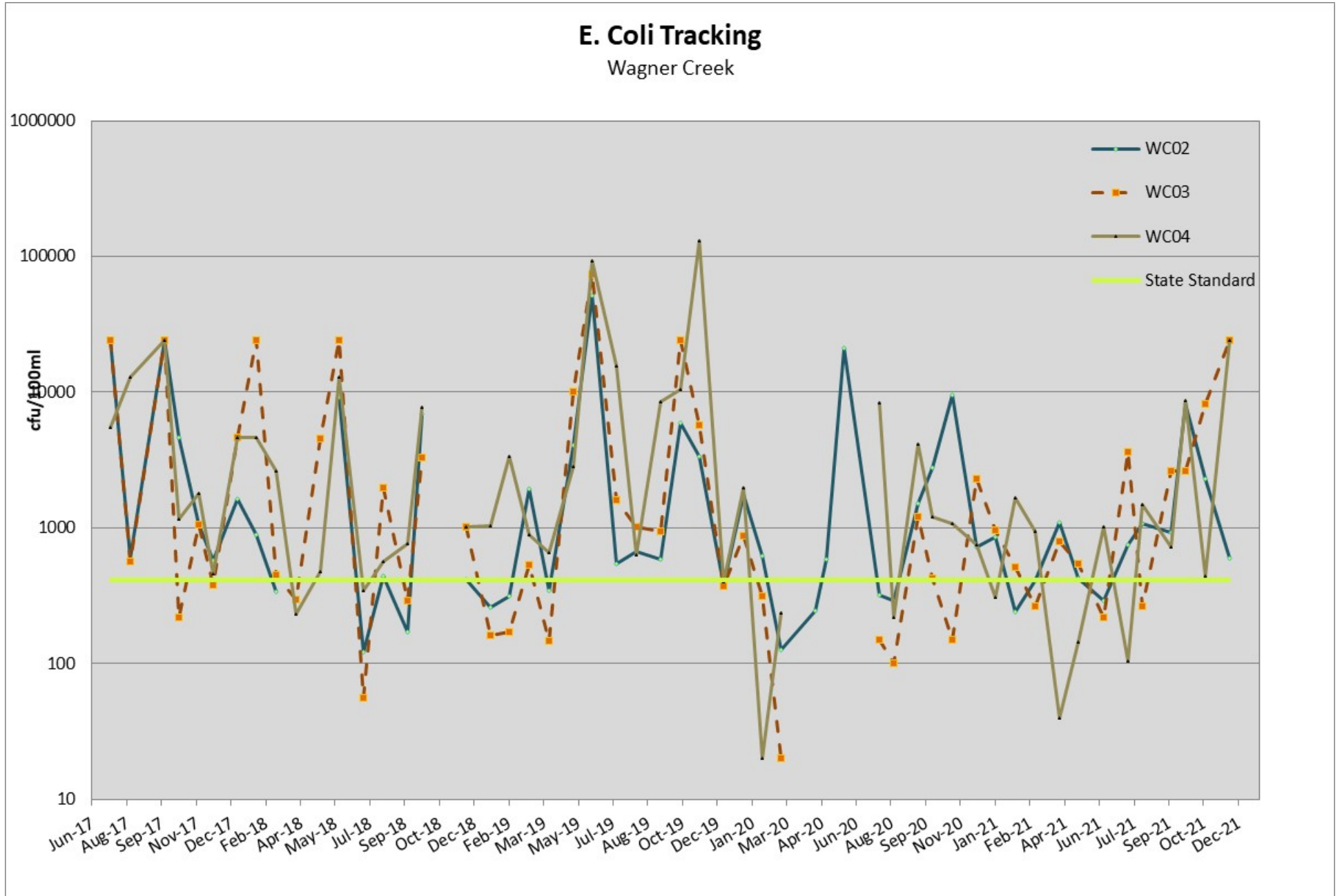


Chart 12.

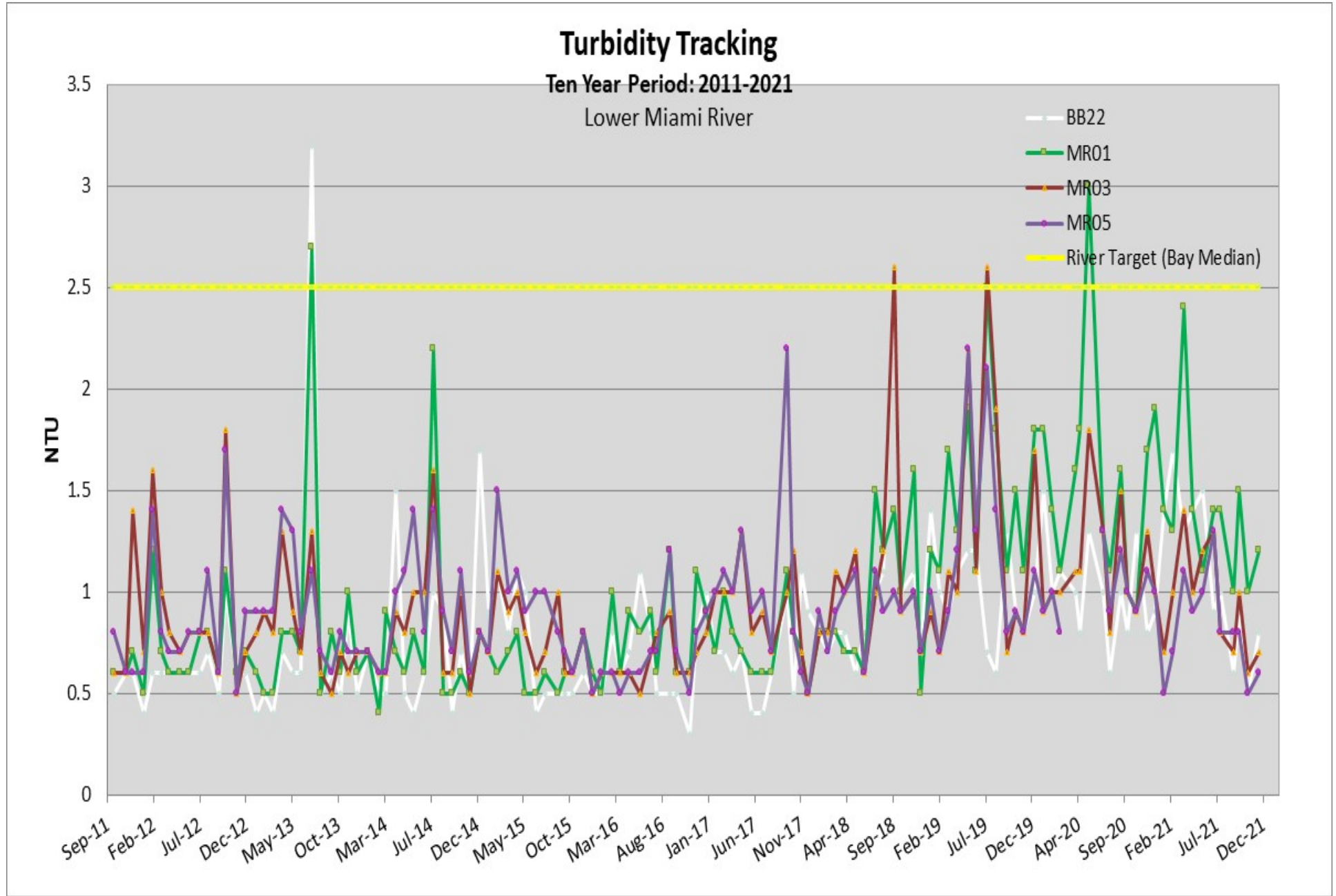


Chart 13.

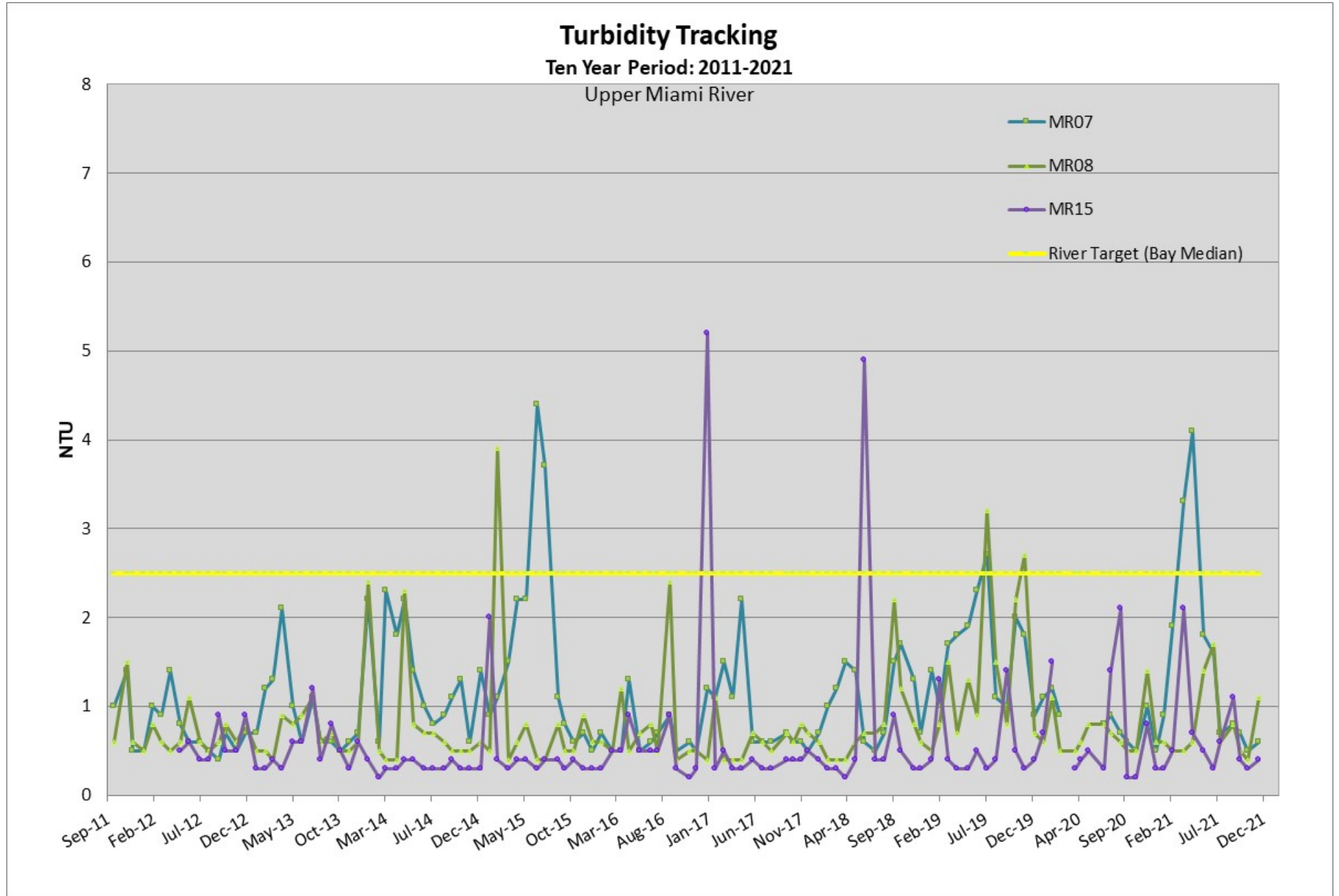


Chart 14.

